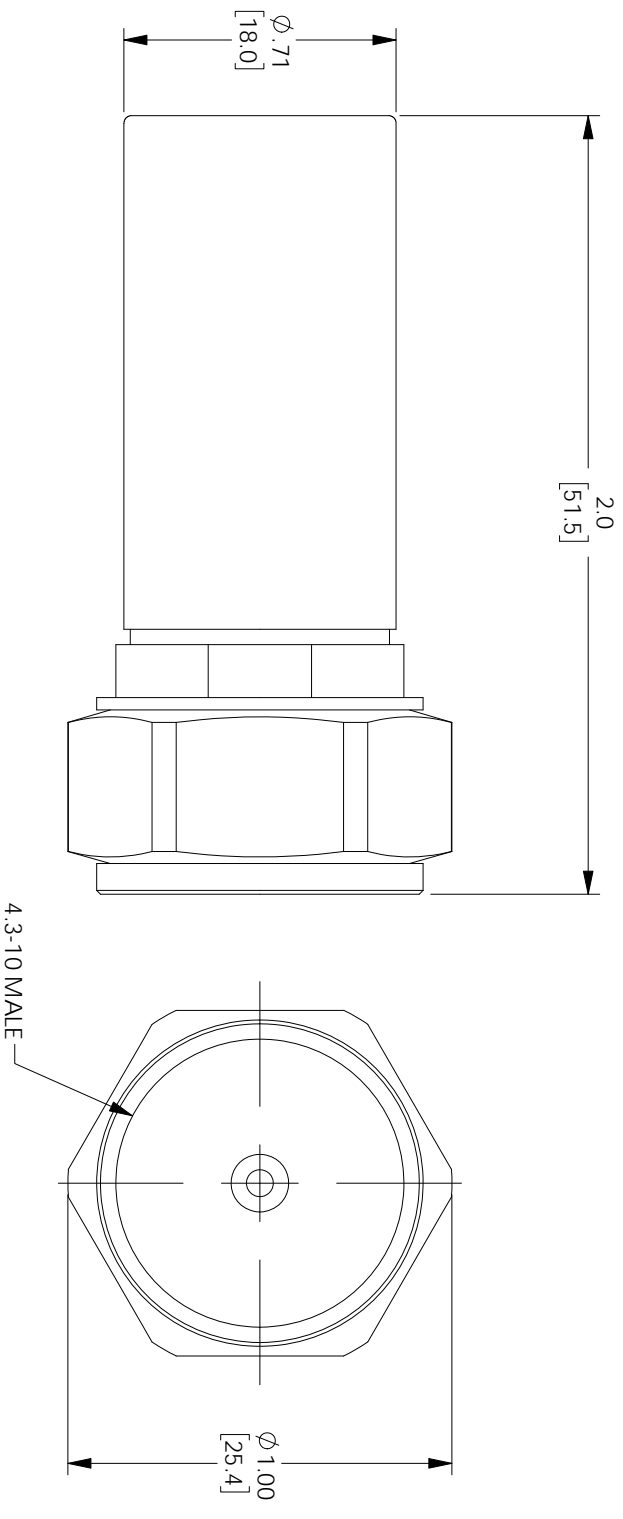


REVISIONS			
REV.	DESCRIPTION	DATE	APPROVED
A	INITIAL RELEASE	07/08/2021	SPONG



THESE COMMODITIES, TECHNOLOGY OR SOFTWARE WERE EXPORTED FROM THE UNITED STATES IN ACCORDANCE WITH THE EXPORT ADMINISTRATION REGULATIONS, DIVERSION CONTRARY TO U.S. LAW PROHIBITED.



TITLE

UNLESS OTHERWISE SPECIFIED LEADING DIMENSIONS ARE INCHES DIMENSIONS IN [] ARE MILLIMETERS				THIRD-ANGLE PROJECTION			
TOLERANCES:				THE INFORMATION AND DESIGN IN THIS DOCUMENT IS THE PROPERTY OF FAIRVIEW MICROWAVE CORPORATION. ALL RIGHTS RESERVED.			
FRACTIONS		CABLE LENGTH (L) TOLERANCES:		L ± 1/2 [39.5] = +1 [25] / -0		SHEET 1 OF 1	
.X = ± .2 [5.08]		L ≤ 12 [304.8] < L ≤ 60 [1524] = ± 2 [51] / -0		60 [1524] < L ≤ 120 [3048] = ± 4 [102] / -0		SCALE N/A	
.XX = ± .02 [.51]		L ≤ 120 [3048] < L ≤ 300 [7620] = ± 6 [152] / -0		300 [7620] < L = +5%L / -0		REV A	
XXX = ± .005 [.13]		ANGLES ± 1°				DRAWN BY DFRISIELLO	
ALL DIMENSIONS SHOWN ARE FOR REFERENCE ONLY.				ITEM NO. FMTR1121			
SIZE	GAGE CODE	DRAWN BY		REV		REV	
A	3FKRS	DFRISIELLO		N/A		A	