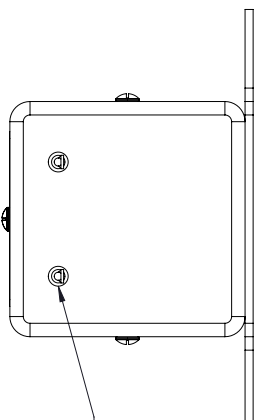
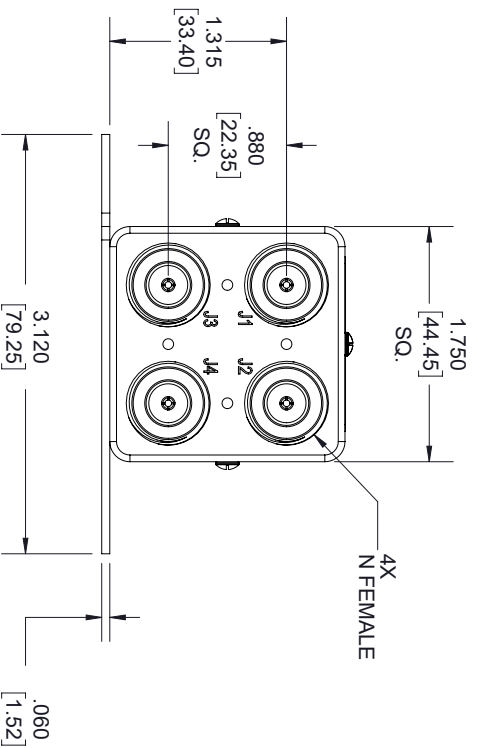
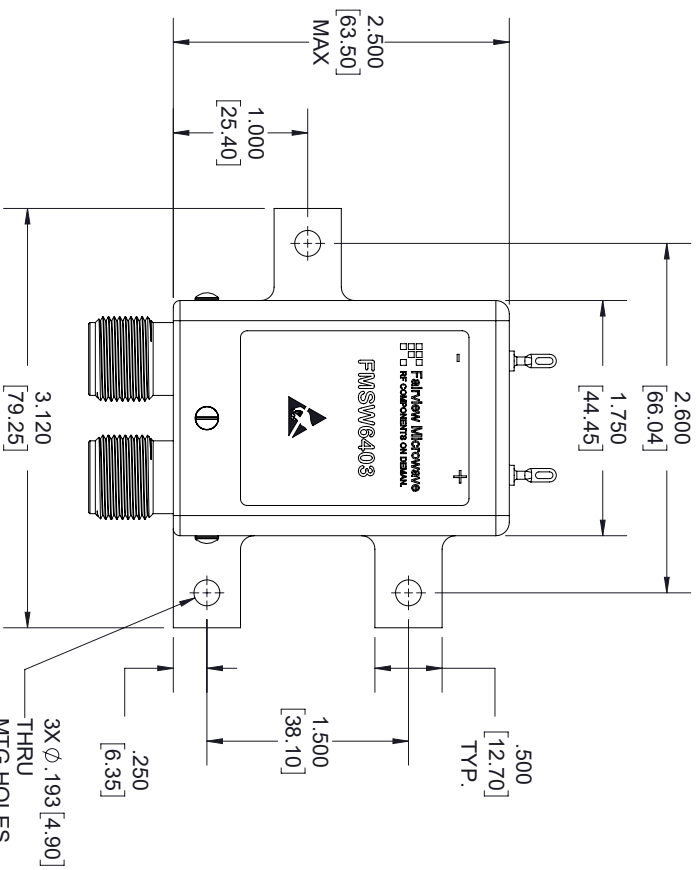


**STANDARD TOLERANCES**  
 .X ±0.2  
 .XX ±0.01  
 .XXX ±0.005

\*STANDARD TOLERANCES APPLY ONLY TO DIMENSIONS IN INCHES



2X SOLDER WIRE TO D.C. TERMINALS FOR ALL ROHS SWITCH WE WILL USE Sn96 MAX TEMP 430 °F FOR NO MORE THAN 5 SEC.



# FAIRVIEW MICROWAVE INC.

ALLEN, TX 75013 WWW.FAIRVIEWMICROWAVE.COM

NOTES:  
 1. UNLESS OTHERWISE SPECIFIED ALL DIMENSIONS ARE NOMINAL.  
 2. ALL SPECIFICATIONS ARE SUBJECT TO CHANGE WITHOUT NOTICE AT ANY TIME.  
 3. DIMENSIONS ARE IN INCHES [mm].

TITLE		DWG NO		CAGE CODE	
		FMSW6403		3FKR5	
CAD FILE	102317	SHEET	1 OF 2	SCALE	N/A
		SIZE	A		7361