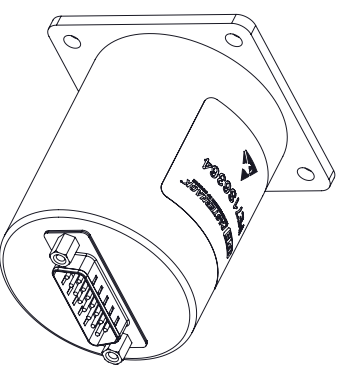


TERMINALS	RF PATH			
D-SUB PIN ASSIGNMENT	J1	J2	J3	J4
1 (SET+)	ON	OFF	OFF	OFF
2 (SET+)	OFF	ON	OFF	OFF
3 (SET+)	OFF	OFF	ON	OFF
4 (SET+)	OFF	OFF	OFF	ON
14 (RESET+)	ALL OFF			

PIN 15: -COM



STANDARD TOLERANCES
 .X ± 0.2
 .XX ± 0.01
 .XXX ± 0.005

*STANDARD TOLERANCES APPLY ONLY TO DIMENSIONS IN INCHES

NOTE: THIS SWITCH REQUIRES A RESET EVERY TIME BEFORE SELECTING A DIFFERENT RF PATH.

Fairview Microwave
 an INFINIT@ brand

NOTES:
 1. UNLESS OTHERWISE SPECIFIED ALL DIMENSIONS ARE NOMINAL.
 2. ALL SPECIFICATIONS ARE SUBJECT TO CHANGE WITHOUT NOTICE AT ANY TIME.
 3. DIMENSIONS ARE IN INCHES [mm].

TITLE

DWG NO

FMSW6364

CAGE CODE

3FKR5

CAD FILE

07/18/19

SHEET

1 OF 2

SCALE

N/A

SIZE

A 7361