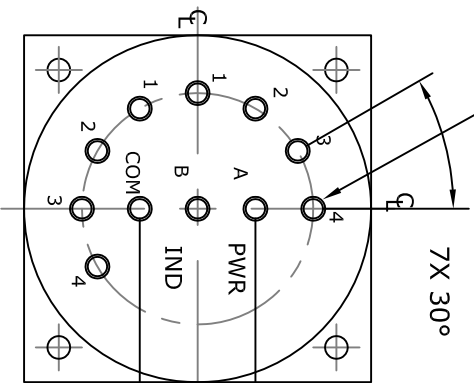
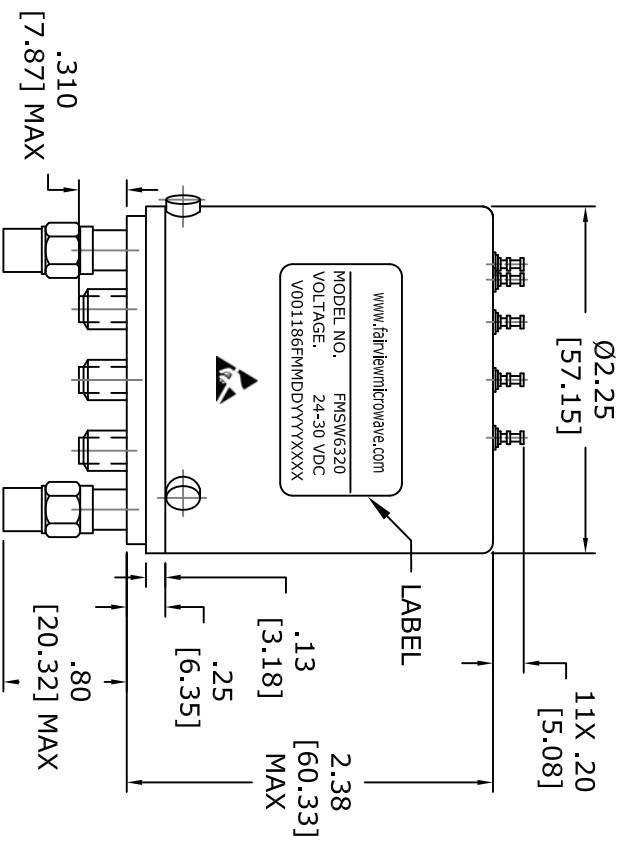


SOLDER TERMINALS, 11X,
8 SPCD ON Ø1.50 [Ø38.10] B.C.



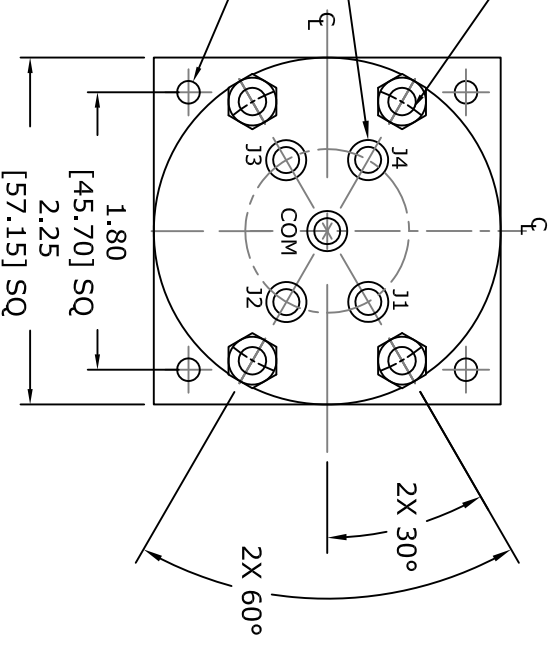
TOP VIEW



50 OHM TERMINATION
4 PLCS ON Ø1.942
[Ø49.33] BC

"K" CONN FEM, 5X
4 SPCD ON Ø1.062
[Ø26.97] B.C.

4X Ø.147
[Ø3.73] THRU
MTG HOLES



UNLESS OTHERWISE SPECIFIED DIMENSIONS ARE IN INCHES. TOLERANCES ARE:		ANGLES	
DECIMALS		±1°	
.XX ± .03 (0.76)		FRACTIONS	±1/16
.XXX ± .010 (0.254)			
HOLE DIAMETER	TOLERANCE		
.0135 TO .125	+ .004 TO -.001		
(0.343 TO 3.175)	(+0.102 TO -0.025)		
.126 TO .250	+ .005 TO -.001		
(3.200 TO 6.350)	(+0.127 TO -0.025)		
.251 TO .500	+ .006 TO -.001		
(6.375 TO 12.700)	(+0.152 TO -0.025)		
.501 TO .750	+ .008 TO -.001		
(12.725 TO 19.050)	(+0.203 TO -0.025)		
.751 TO 1.000	+ .010 TO -.001		
(19.075 TO 25.400)	(+0.254 TO -0.025)		
1.001 TO 2.000	+ .012 TO -.001		
(25.425 TO 50.800)	(+0.305 TO -0.025)		

* THESE DIMENSIONS AND TOLERANCES
SUPERSEDE NOTE #1 ON TITLE BLOCK.

FAIRVIEW MICROWAVE INC.
ALLEN, TX 75013 WWW.FAIRVIEWMICROWAVE.COM

NOTES:
1. UNLESS OTHERWISE SPECIFIED ALL DIMENSIONS ARE NOMINAL.
2. ALL SPECIFICATIONS ARE SUBJECT TO CHANGE WITHOUT NOTICE AT ANY TIME.
3. DIMENSIONS ARE IN INCHES [mm].

TITLE

DWG NO

FMSW6320

CAGE CODE

3FKR5

CAD FILE 122115

SHEET

SCALE N/A

SIZE A

2233