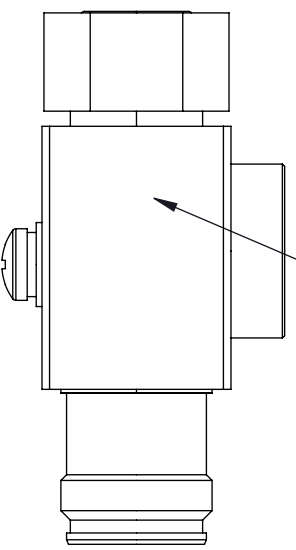
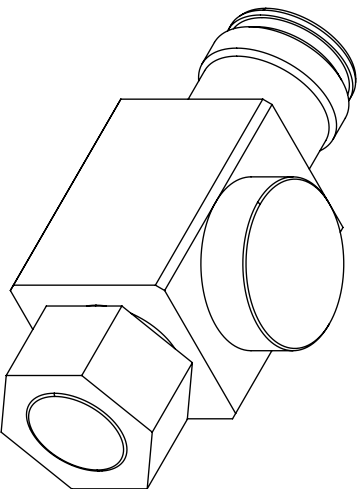
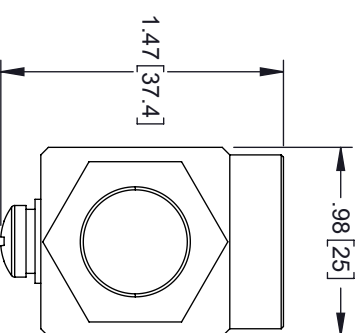
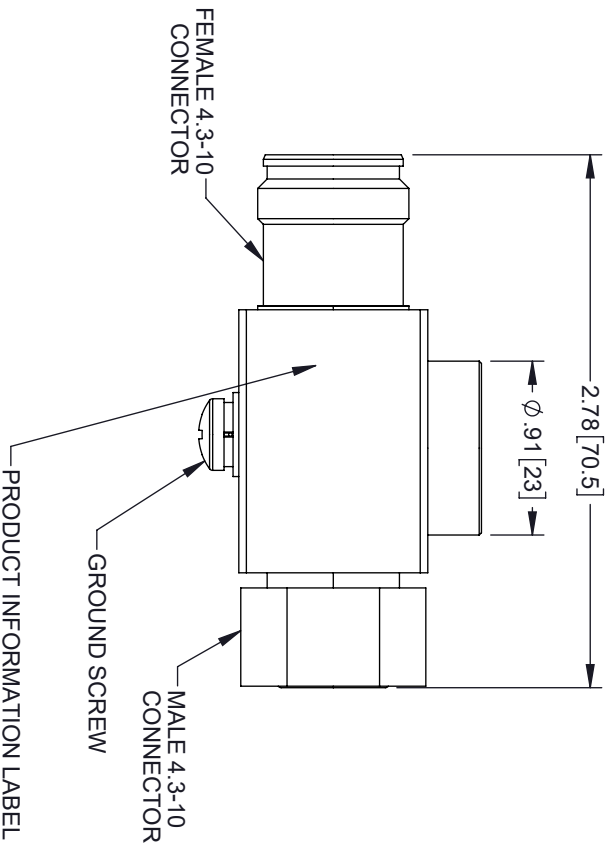


REVISIONS			
REV.	DESCRIPTION	DATE	APPROVED
A	INITIAL RELEASE	1/18/2021	DWR



NOTE:
 1. SEE LABEL SPECIFICATION ILS-100. FOR INTERNAL REFERENCE ONLY.

THESE COMMODITIES, TECHNOLOGY OR SOFTWARE WERE EXPORTED FROM THE UNITED STATES IN ACCORDANCE WITH THE EXPORT ADMINISTRATION REGULATIONS, DIVERSION CONTRARY TO U.S. LAW PROHIBITED.



TITLE

UNLESS OTHERWISE SPECIFIED LEADING DIMENSIONS ARE INCHES				THIRD ANGLE PROJECTION	
DIMENSIONS IN [] ARE MILLIMETERS					
TOLERANCES:				THE INFORMATION AND DESIGN IN THIS DOCUMENT IS THE PROPERTY OF FAIRVIEW MICROWAVE CORPORATION. ALL RIGHTS RESERVED.	
CABLE LENGTH (L) TOLERANCES:		L ≤ 12 [305] = +1 [25] / -0		SHEET 1 OF 1	
FRACTIONS		± 1/32		SCALE 1:1	
X = ±.2 [5.08]		12 [305] < L ≤ 60 [1524] = +2 [51] / -0		REV A	
XX = ±.02 [.51]		60 [1524] < L ≤ 120 [3048] = +4 [102] / -0		ITEM NO. FM73SP1070	
XXX = ±.005 [.13]		120 [3048] < L ≤ 300 [7620] = +6 [152] / -0		DRAWN BY DPM	
ANGLES ± 1°		300 [7620] < L = +5% / -0		GAGE CODE 3FKRS	
ALL DIMENSIONS SHOWN ARE FOR REFERENCE ONLY.					
SIZE A	SCALE 1:1	REV A			