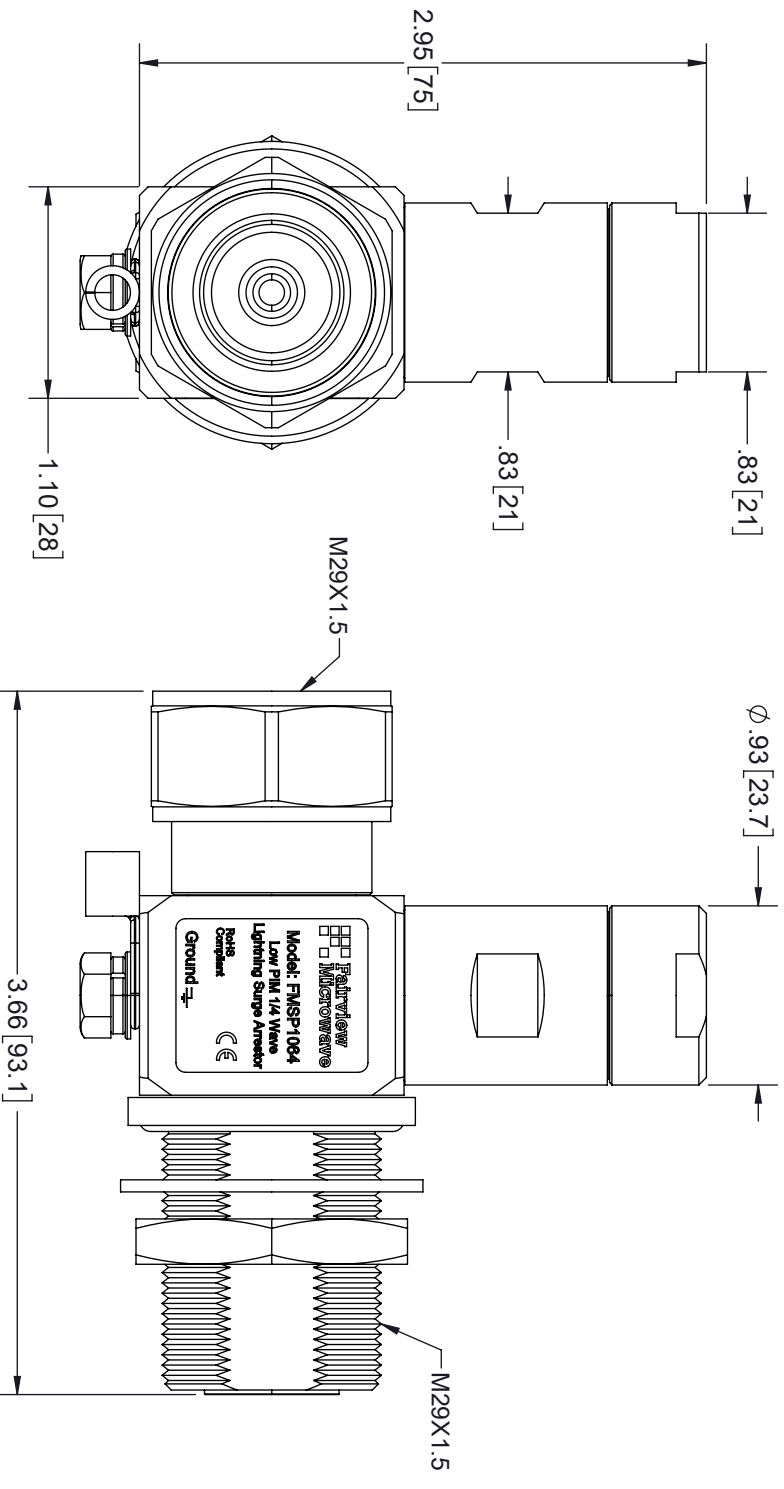
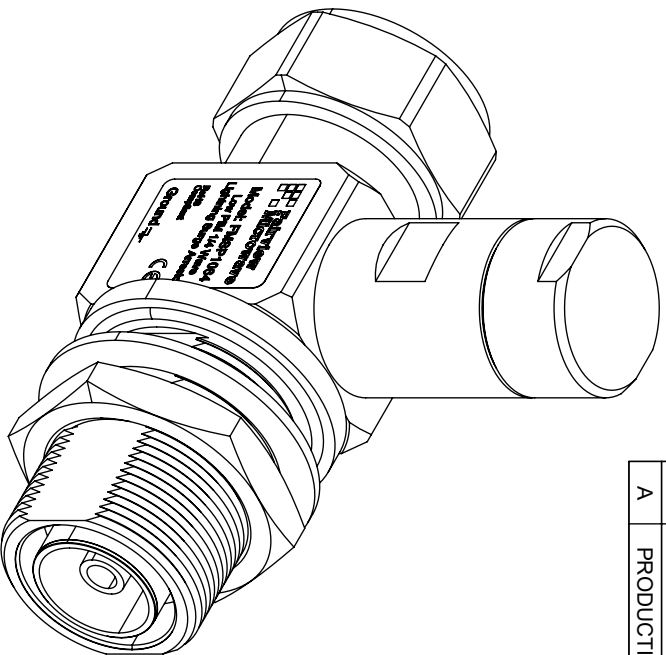


REVISIONS				
REV.	DESCRIPTION	ECN	DATE	APPROVED
A	PRODUCTION RELEASE		4/28/20	DWR



THESE COMMODITIES, TECHNOLOGY OR SOFTWARE WERE EXPORTED FROM THE UNITED STATES IN ACCORDANCE WITH THE EXPORT ADMINISTRATION REGULATIONS, DIVERSION CONTRARY TO U.S. LAW PROHIBITED.

Fairview Microwave
an INFINITI® brand

TITLE

TOLERANCES:

UNLESS OTHERWISE SPECIFIED LEADING DIMENSIONS ARE INCHES
DIMENSIONS IN [] ARE MILLIMETERS

CABLE LENGTH (L) TOLERANCES:

X = ±.2 [5.08] FRACTIONS 12 [305] < L ≤ 60 [1524] = ±.2 [51] / -0
 XX = ±.02 [.51] ±.1/32 60 [1524] < L ≤ 120 [3048] = ±.4 [102] / -0
 XXX = ±.005 [.13] ANGLES ± 1° 120 [3048] < L ≤ 300 [7620] = ±.6 [152] / -0
 300 [7620] < L = +5%/ -0



THE INFORMATION AND DESIGN IN THIS DOCUMENT IS THE PROPERTY OF FAIRVIEW MICROWAVE CORPORATION. ALL RIGHTS RESERVED.

SHEET 1 OF 1
SCALE 1:1

SIZE	GAGE CODE	DRAWN BY	ITEM NO.	REV
A	3FKR5	DPM	FMSP1064	A