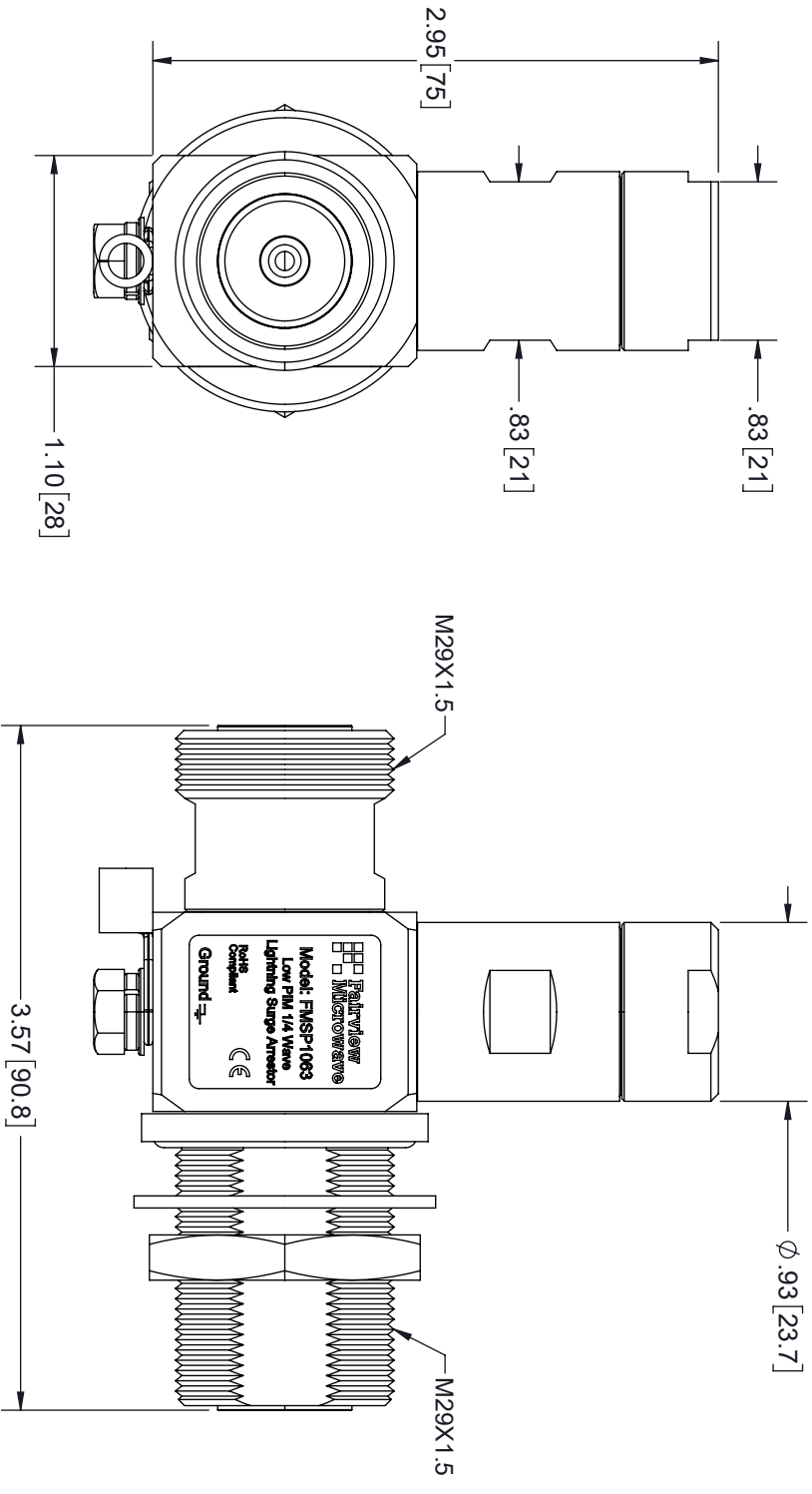
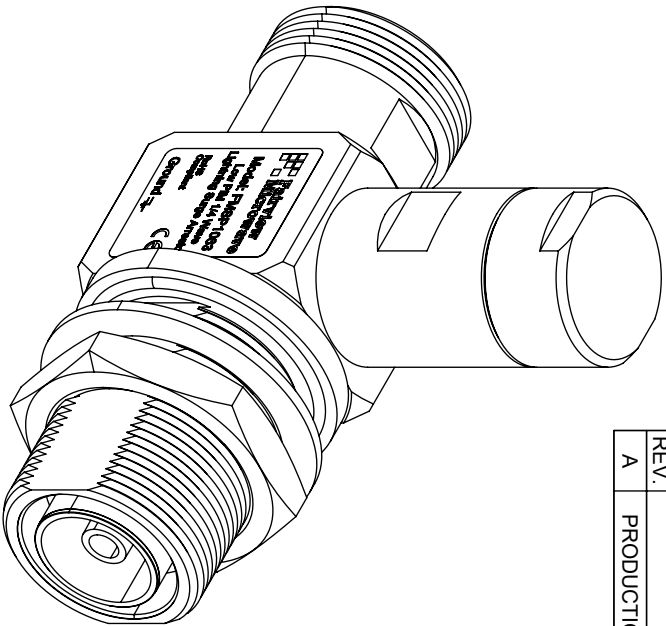


REVISIONS				
REV.	DESCRIPTION	ECN	DATE	APPROVED
A	PRODUCTION RELEASE		4/28/20	DWR



THESE COMMODITIES, TECHNOLOGY OR SOFTWARE WERE EXPORTED FROM THE UNITED STATES IN ACCORDANCE WITH THE EXPORT ADMINISTRATION REGULATIONS, DIVERSION CONTRARY TO U.S. LAW PROHIBITED.



TITLE

UNLESS OTHERWISE SPECIFIED LEADING DIMENSIONS ARE INCHES DIMENSIONS IN [ ] ARE MILLIMETERS				THIRD-ANGLE PROJECTION	
TOLERANCES:					
CABLE LENGTH (L) TOLERANCES:				THE INFORMATION AND DESIGN IN THIS DOCUMENT IS THE PROPERTY OF FAIRVIEW MICROWAVE CORPORATION. ALL RIGHTS RESERVED.	
X = ±.2	[.08]	FRACTIONS	12 [305] < L ≤ 60 [1524] = ±.2 [51] / -0	1	OF
XX = ±.02	[.51]	±.1/32	60 [1524] < L ≤ 120 [3048] = ±.4 [102] / -0	1	OF
XXX = ±.005	[.13]	ANGLES ± 1°	120 [3048] < L ≤ 300 [7620] = ±.6 [152] / -0	1	OF
			300 [7620] < L = +5%/ -0	1	OF
ALL DIMENSIONS SHOWN ARE FOR REFERENCE ONLY.				SCALE	1:1
SIZE	GAGE CODE	DRAWN BY	ITEM NO.	REV	
A	3FKR5	DPM	FMSP1063	A	