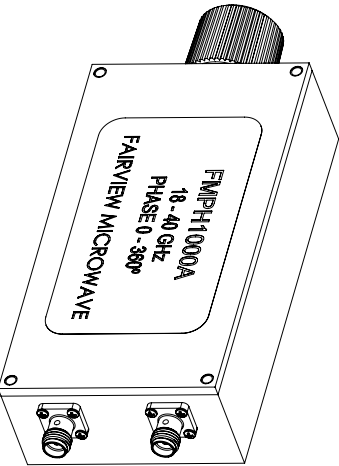
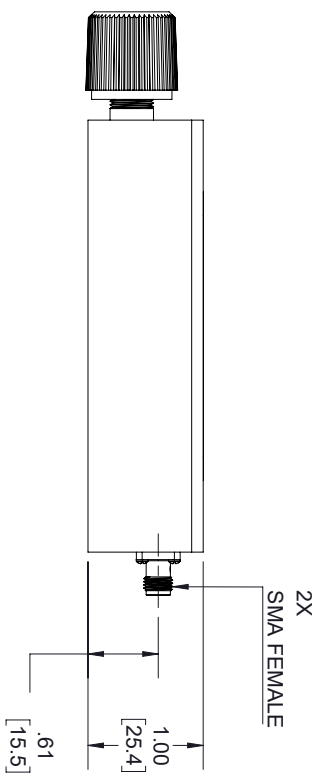
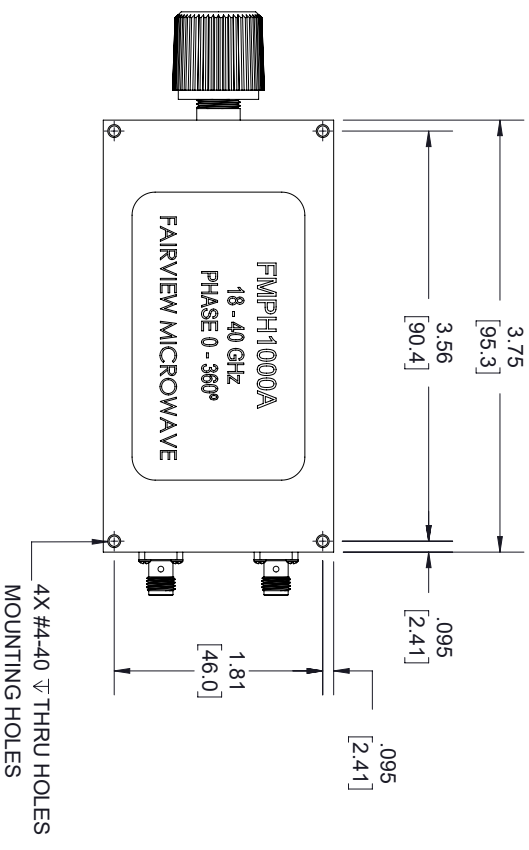
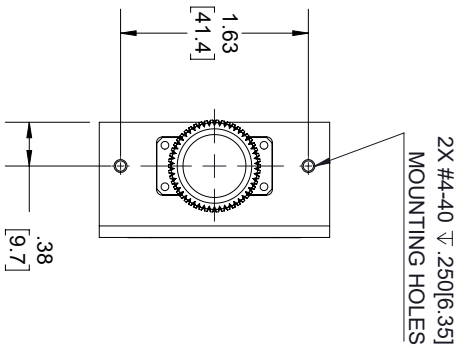


| REVISIONS |                 |          |          |
|-----------|-----------------|----------|----------|
| REV.      | DESCRIPTION     | DATE     | APPROVED |
| A         | INITIAL RELEASE | 2/4/2020 | S. PONG  |



THESE COMMODITIES, TECHNOLOGY OR SOFTWARE WERE EXPORTED FROM THE UNITED STATES IN ACCORDANCE WITH THE EXPORT ADMINISTRATION REGULATIONS, DIVERSION CONTRARY TO U.S. LAW PROHIBITED.



|  |                       |   |    |
|--|-----------------------|---|----|
| UNLESS OTHERWISE SPECIFIED LEADING DIMENSIONS ARE INCHES |                       | THIRD-ANGLE PROJECTION  |    |
| DIMENSIONS IN [ ] ARE MILLIMETERS                        |                       |   |    |
| TOLERANCES:  |                       | THE INFORMATION AND DESIGN IN THIS DOCUMENT IS THE PROPERTY OF FAIRVIEW MICROWAVE CORPORATION. ALL RIGHTS RESERVED. |    |
| CABLE LENGTH (L) TOLERANCES:                             |                       | SHEET   | OF |
| L \u2264 12 (305) = +1 [25] / -0                         |                       | 1   | 1  |
| 12 (305) < L \u2264 60 (1524) = +2 [51] / -0             |                       |   |    |
| 60 (1524) < L \u2264 120 (3048) = +4 [102] / -0          |                       |   |    |
| 120 (3048) < L \u2264 300 (7620) = +6 [152] / -0         |                       |   |    |
| 300 (7620) < L = +5% / -0                                |                       |   |    |
| X = +.2 [5.08]   | FRACTIONS             |   |    |
| XX = +.02 [.51]  | \u00b1 1/32           |   |    |
| XXX = +.005 [.13]  | ANGLES \u00b1 1\u00b0 |   |    |

|  |           |          |            |
|--|-----------|----------|------------|
| ALL DIMENSIONS SHOWN ARE FOR REFERENCE ONLY. |           |          |            |
| SIZE   | GAGE CODE | DRAWN BY | ITEM NO.   |
| A  | 3FKRS     | K.DANG   | FMIPH1000A |
|  |           |          | SCALE      |
|  |           |          | N/A        |
|  |           |          | REV        |
|  |           |          | A          |