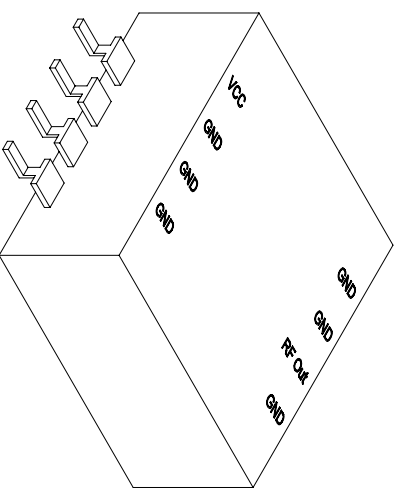
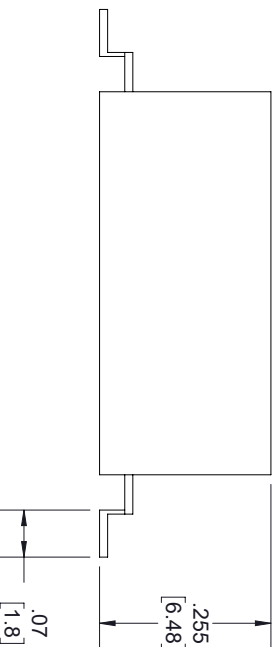
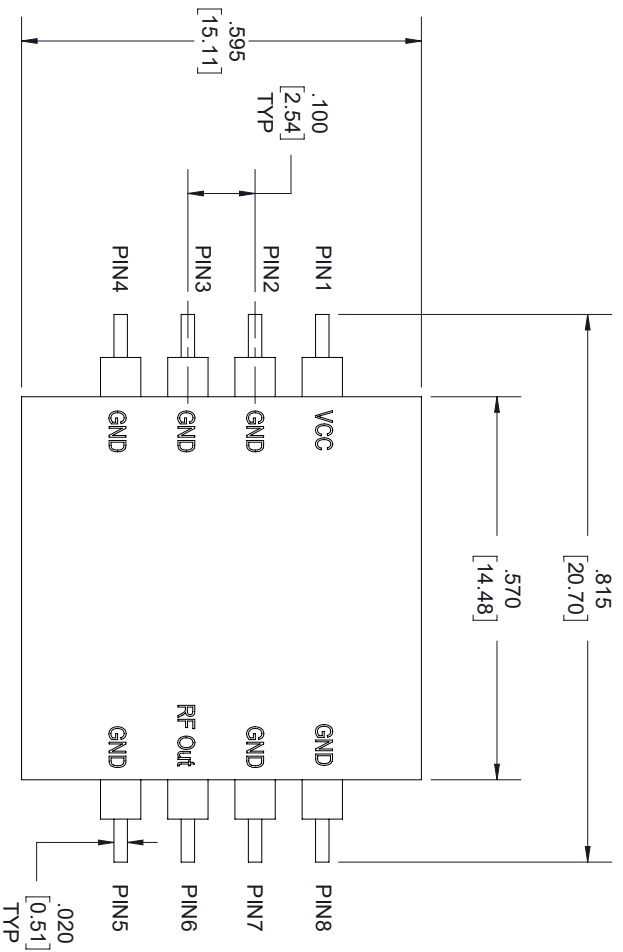


REVISIONS			
REV.	DESCRIPTION	DATE	APPROVED
A	INITIAL RELEASE	6/8/2020	TGALLA



LABEL:

FAIRVIEW MICROWAVE  
FMNS4001  
D/C: YYYYWW

THESE COMMODITIES, TECHNOLOGY OR SOFTWARE WERE EXPORTED FROM THE UNITED STATES IN ACCORDANCE WITH THE EXPORT ADMINISTRATION REGULATIONS, DIVERSION CONTRARY TO U.S. LAW PROHIBITED.



TITLE

UNLESS OTHERWISE SPECIFIED LEADING DIMENSIONS ARE INCHES DIMENSIONS IN [ ] ARE MILLIMETERS				THIRD-ANGLE PROJECTION	
TOLERANCES:					
CABLE LENGTH (L) TOLERANCES:				THE INFORMATION AND DESIGN IN THIS DOCUMENT IS THE PROPERTY OF FAIRVIEW MICROWAVE CORPORATION. ALL RIGHTS RESERVED.	
$X = \pm 2$ [5.08] FRACTIONS $XX = \pm 02$ [51] $\pm 1/32$ $XXX = \pm .005$ [.13] ANGLES $\pm 1^\circ$		$L \leq 12$ [305] = $\pm 1/25$ / -0 $12 [305] < L \leq 60$ [1524] = $\pm 2 [51]$ / -0 $60 [1524] < L \leq 120$ [3048] = $\pm 4 [102]$ / -0 $120 [3048] < L \leq 300$ [7620] = $\pm 6 [152]$ / -0 $300 [7620] < L = +5\%/ -0$		SCALE	
SIZE	GAGE CODE	DRAWN BY	ITEM NO.	REV	REV
A	3FKRS	K.DANG	FMNS4001	N/A	A