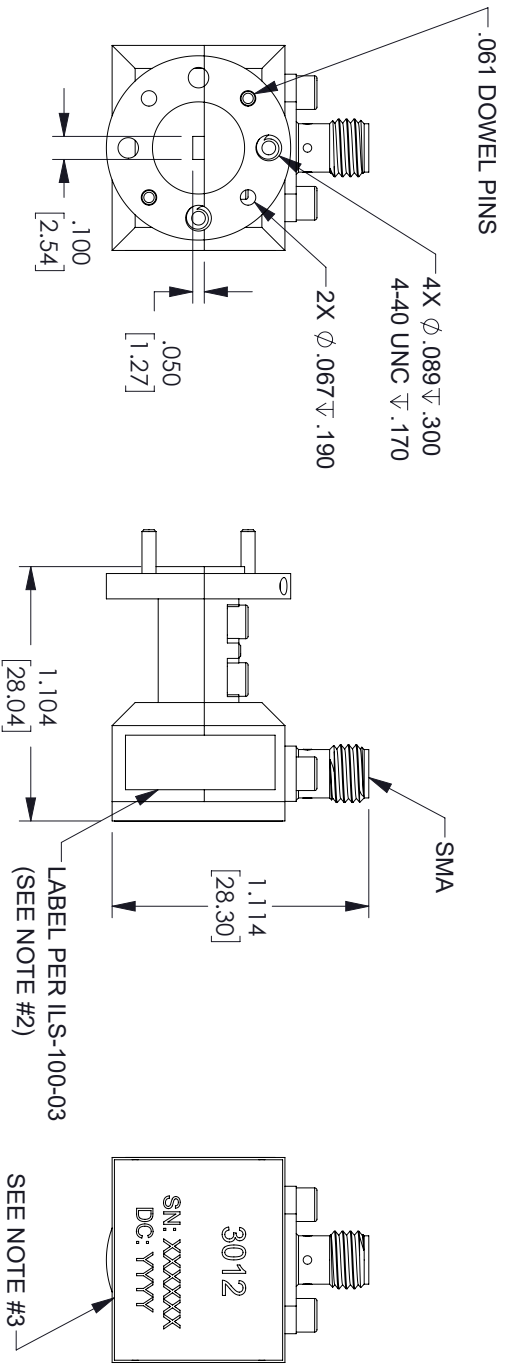
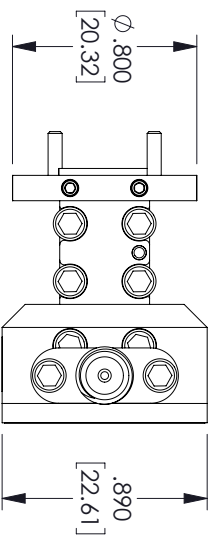
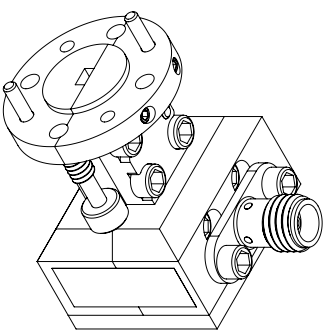


REVISIONS			
REV.	DESCRIPTION	DATE	APPROVED
A	INITIAL RELEASE	8/16/2022	TGALLA



UG-387/U-M

- NOTES:
1. MATERIAL: 1/2 HARD BRASS
 2. LABEL PER ILS-100-03. FOR INTERNAL REFERENCE ONLY.
 3. LABEL LOCATION FOR REFERENCE ONLY.
- SERIAL NUMBER AND DATE CODE EX: SN: FXZYDY, DC: 2232



THESE COMMODITIES, TECHNOLOGY OR SOFTWARE WERE EXPORTED FROM THE UNITED STATES IN ACCORDANCE WITH THE EXPORT ADMINISTRATION REGULATIONS, DIVERSION CONTRARY TO U.S. LAW PROHIBITED.



UNLESS OTHERWISE SPECIFIED LEADING DIMENSIONS ARE INCHES		THIRD-ANGLE PROJECTION	
DIMENSIONS IN [] ARE MILLIMETERS			
TOLERANCES:		THE INFORMATION AND DESIGN IN THIS DOCUMENT IS THE PROPERTY OF FAIRVIEW MICROWAVE CORPORATION. ALL RIGHTS RESERVED.	
FRACTIONS		SCALE	
X = ±.2 [5.08]	±.001 [25.4]	L ≤ 12 [305] = +1 [25] / -0	1
XX = ±.02 [51]	±.002 [51]	12 [305] < L ≤ 60 [1524] = +2 [51] / -0	OF
XXX = ±.005 [13]	ANGLES ± 1°	60 [1524] < L ≤ 120 [3048] = +4 [102] / -0	1
		120 [3048] < L ≤ 300 [7620] = +6 [152] / -0	
		300 [7620] < L = +5% / -0	

SIZE	GAGE CODE	DRAWN BY	ITEM NO.	REV
A	3FKRS	DMAY	FMMT3012	A

TITLE