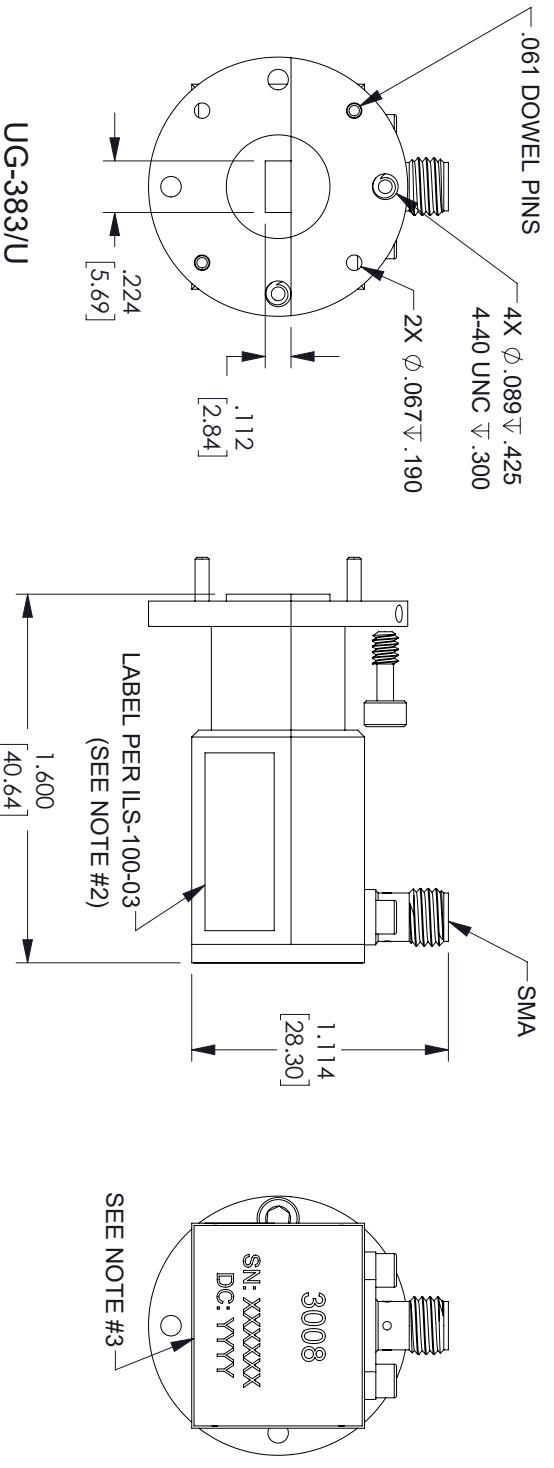
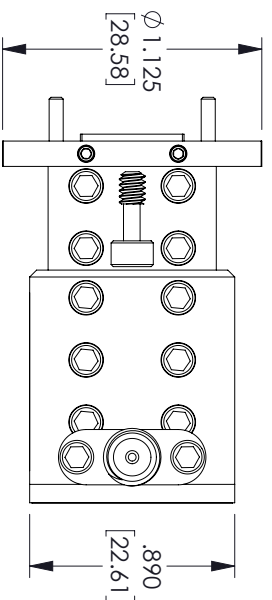
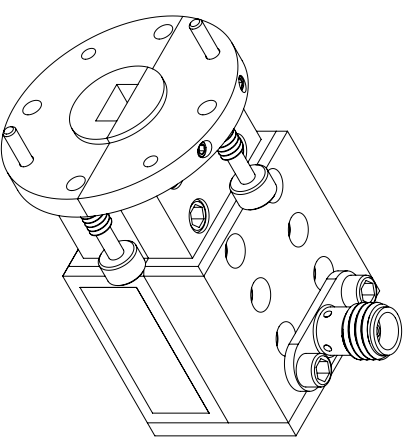


REVISIONS			
REV.	DESCRIPTION	DATE	APPROVED
A	INITIAL RELEASE	8/16/2022	TGALLA



- NOTES:
1. MATERIAL: 1/2 HARD BRASS
  2. LABEL PER ILS-100-03. FOR INTERNAL REFERENCE ONLY.
  3. SERIAL NUMBER AND DATE CODE EX: SN: BWZVMV, DC: 2232



THESE COMMODITIES, TECHNOLOGY OR SOFTWARE WERE EXPORTED FROM THE UNITED STATES IN ACCORDANCE WITH THE EXPORT ADMINISTRATION REGULATIONS, DIVERSION CONTRARY TO U.S. LAW PROHIBITED.



TITLE

UNLESS OTHERWISE SPECIFIED LEADING DIMENSIONS ARE INCHES  
DIMENSIONS IN [ ] ARE MILLIMETERS

TOLERANCES:

CABLE LENGTH (L) TOLERANCES:

X = ±.2 [5.08] FRACTIONS 12 [305] < L ≤ 60 [1524] = ±.2 [51] / -0  
 XX = ±.02 [ .51] ±.1/32 60 [1524] < L ≤ 120 [3048] = ±.4 [102] / -0  
 XXX = ±.005 [ .13] ANGLES ± 1° 120 [3048] < L ≤ 300 [7620] = ±.6 [152] / -0  
 300 [7620] < L = +5%/ -0

THIRD-ANGLE PROJECTION

THE INFORMATION AND DESIGN IN THIS DOCUMENT IS THE PROPERTY OF FAIRVIEW MICROWAVE CORPORATION. ALL RIGHTS RESERVED.

SHEET 1 OF 1

ALL DIMENSIONS SHOWN ARE FOR REFERENCE ONLY.

SCALE

SIZE

A

GAGE CODE

3FKRS

DRAWN BY

DMAY

ITEM NO.

FMMT3008

REV

A