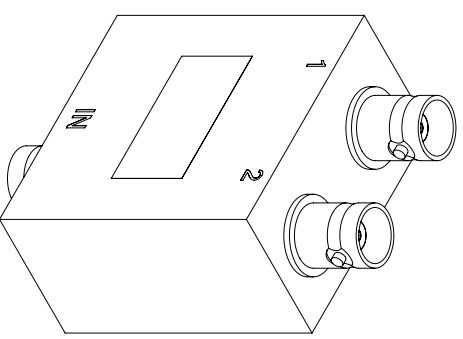


LABEL

**FAIRVIEW MICROWAVE**  
**FMDV2003**  
 D/C: XXXX

STANDARD TOLERANCES  
 .X ±0.2  
 .XX ±0.01  
 .XXX ±0.005

\*STANDARD TOLERANCES APPLY  
 ONLY TO DIMENSIONS IN INCHES



NOTES:  
 1. UNLESS OTHERWISE SPECIFIED ALL DIMENSIONS ARE NOMINAL.  
 2. ALL SPECIFICATIONS ARE SUBJECT TO CHANGE WITHOUT NOTICE AT ANY TIME.  
 3. DIMENSIONS ARE IN INCHES [mm].

TITLE		DWG NO		CAGE CODE	
		FMDV2003		3FKR5	

CAD FILE	01/29/19	SHEET	1 OF 1	SCALE	N/A	SIZE	A	7361
----------	----------	-------	--------	-------	-----	------	---	------