

LABEL

FAIRVIEW MICROWAVE

FMDV1068

D/C: XXXX

STANDARD TOLERANCES

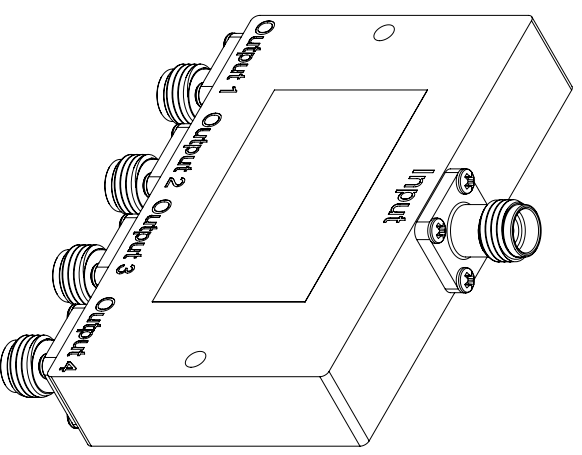
.X ±0.2
 .XX ±0.01
 .XXX ±0.005

*STANDARD TOLERANCES APPLY ONLY TO DIMENSIONS IN INCHES



TITLE

NOTES:
 1. UNLESS OTHERWISE SPECIFIED ALL DIMENSIONS ARE NOMINAL.
 2. ALL SPECIFICATIONS ARE SUBJECT TO CHANGE WITHOUT NOTICE AT ANY TIME.
 3. DIMENSIONS ARE IN INCHES [mm].



DWG NO

FMDV1068

CAGE CODE

3FKR5

CAD FILE

01/29/19

SHEET

1 OF 1

SCALE N/A

SIZE A

7361