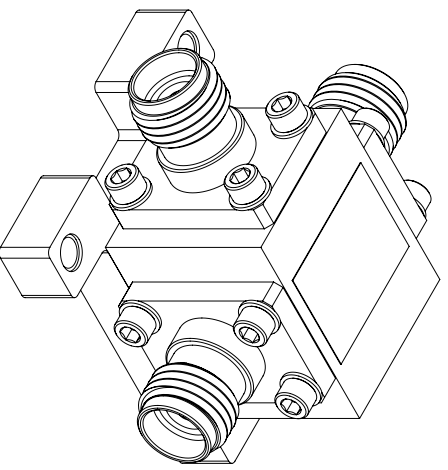
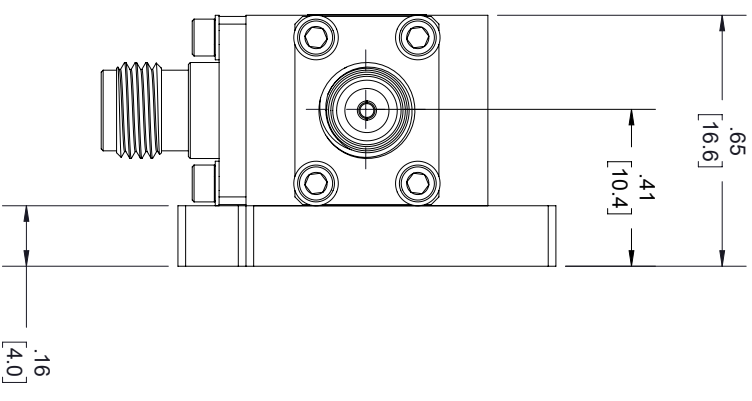
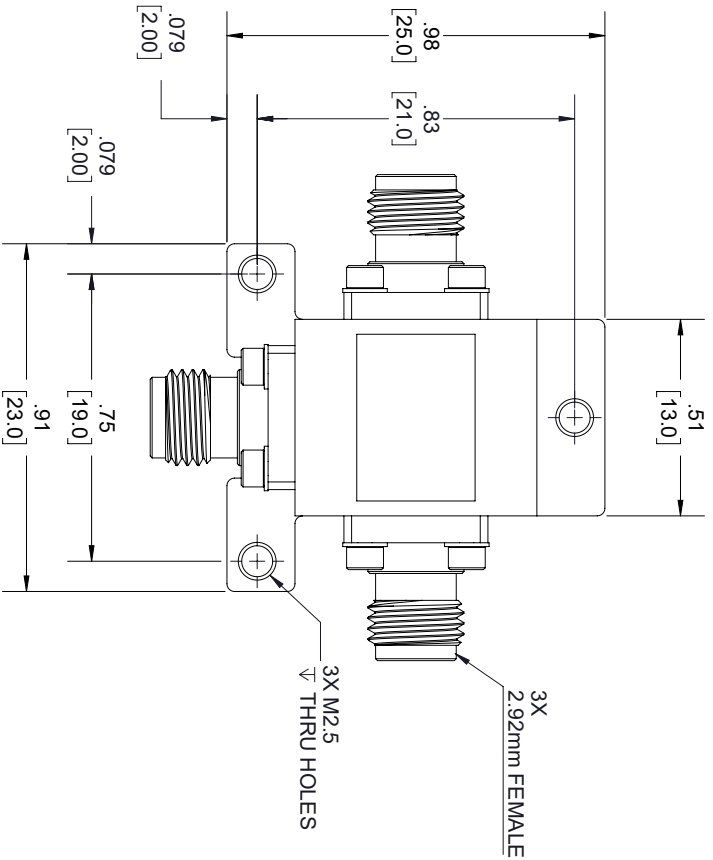


REVISIONS			
REV.	DESCRIPTION	DATE	APPROVED
B	PCR FMCR1028	8/10/2021	S.PONG



<b>FAIRVIEW MICROWAVE</b>	
1	FMCR1028
2	D/C: WWWW
3	

LABEL

THESE COMMODITIES, TECHNOLOGY OR SOFTWARE WERE EXPORTED FROM THE UNITED STATES IN ACCORDANCE WITH THE EXPORT ADMINISTRATION REGULATIONS, DIVERSION CONTRARY TO U.S. LAW PROHIBITED.



TITLE

UNLESS OTHERWISE SPECIFIED LEADING DIMENSIONS ARE INCHES  
DIMENSIONS IN [ ] ARE MILLIMETERS

CABLE LENGTH (L) TOLERANCES:

THIRD-ANGLE PROJECTION

TOLERANCES:  
X = ±.2 [5.08]  
XX = ±.02 [.51]  
XXX = ±.005 [.13]

FRACTIONS  
±.1/32  
ANGLES ± 1°

THE INFORMATION AND DESIGN IN THIS DOCUMENT IS THE PROPERTY OF FAIRVIEW MICROWAVE CORPORATION. ALL RIGHTS RESERVED.

SIZE	GAGE CODE	DRAWN BY	ITEM NO.	SCALE	REV
A	3FKRS	K.DANG	FMCR1028	N/A	B