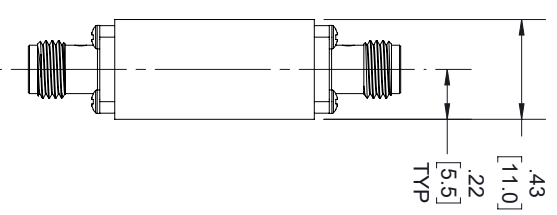
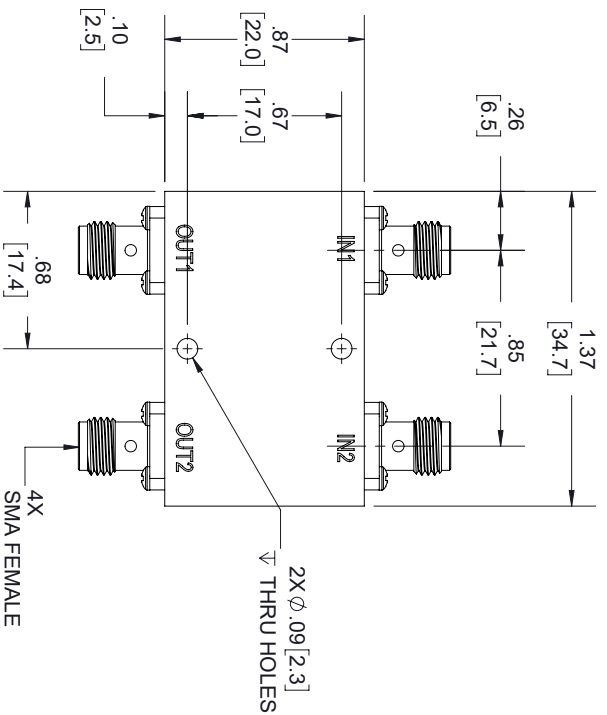
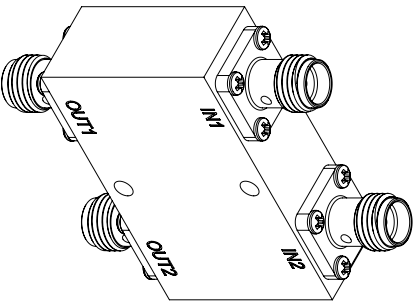
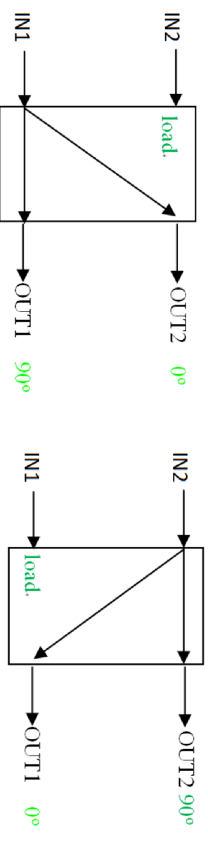


REVISIONS			
REV.	DESCRIPTION	DATE	APPROVED
A	INITIAL RELEASE	1/16/2020	S.PONG



Schematic:



LABEL:

FAIRVIEW MICROWAVE
FMCP1143
D/C: YYYYWW

THESE COMMODITIES, TECHNOLOGY OR SOFTWARE WERE EXPORTED FROM THE UNITED STATES IN ACCORDANCE WITH THE EXPORT ADMINISTRATION REGULATIONS, DIVERSION CONTRARY TO U.S. LAW PROHIBITED.



TITLE

UNLESS OTHERWISE SPECIFIED LEADING DIMENSIONS ARE INCHES				THIRD-ANGLE PROJECTION	
DIMENSIONS IN [] ARE MILLIMETERS					
TOLERANCES:				CABLE LENGTH (L) TOLERANCES:	
X = ±.2	[5.08]	FRACTIONS	L ± 1/2 [806] = +1 [25] / -0	THE INFORMATION AND DESIGN IN THIS DOCUMENT IS THE PROPERTY OF FAIRVIEW MICROWAVE CORPORATION. ALL RIGHTS RESERVED.	
XX = ±.02	[.51]	± 1/32	12 [305] < L ≤ 60 [1524] = +2 [51] / -0		
XXX = ±.005	[.13]	ANGLES ± 1°	60 [1524] < L ≤ 120 [3048] = +4 [102] / -0		
			120 [3048] < L ≤ 300 [7620] = +6 [152] / -0		
			300 [7620] < L = +5%L / -0	SCALE	
SIZE	GAGE CODE	DRAWN BY	ITEM NO.	REV	
A	3FKR5	K.DANG	FMCP1143	A	N/A

ALL DIMENSIONS SHOWN ARE FOR REFERENCE ONLY.