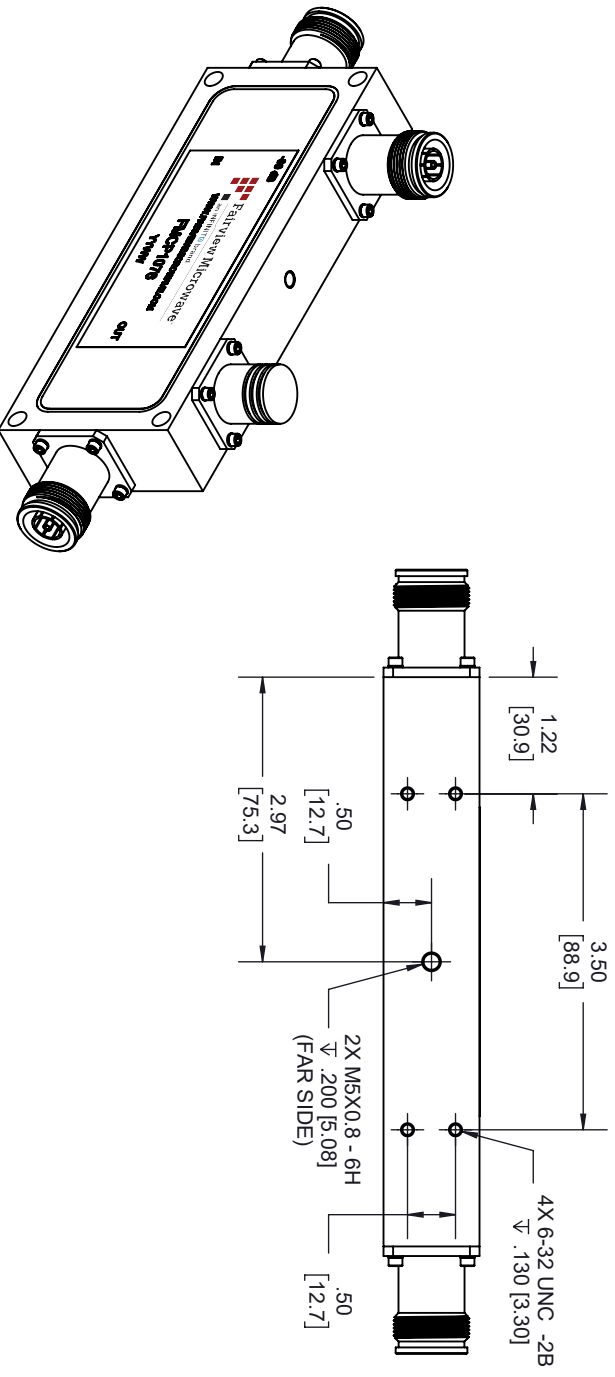
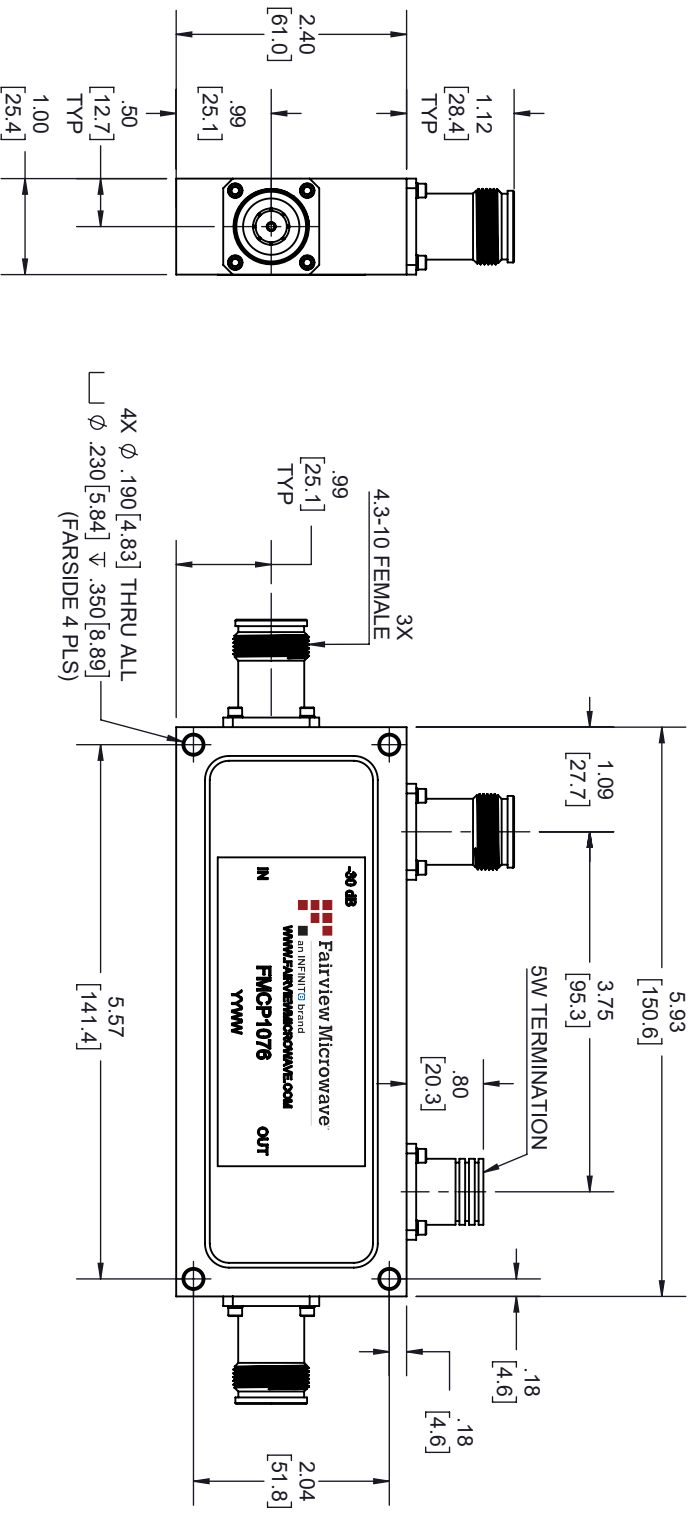


REVISIONS			
REV.	DESCRIPTION	DATE	APPROVED
A	PCR PE20P1076	3/4/2021	S.FONG



THESE COMMODITIES, TECHNOLOGY OR SOFTWARE WERE EXPORTED FROM THE UNITED STATES IN ACCORDANCE WITH THE EXPORT ADMINISTRATION REGULATIONS, DIVERSION CONTRARY TO U.S. LAW PROHIBITED.

Fairview Microwave™



TITLE

SIZE	GAGE CODE	DRAWN BY	ITEM NO.	SCALE	REV
A	3FKRS	K.DANG	FMCP1076	N/A	A

ALL DIMENSIONS SHOWN ARE FOR REFERENCE ONLY.

UNLESS OTHERWISE SPECIFIED LEADING DIMENSIONS ARE INCHES
DIMENSIONS IN [] ARE MILLIMETERS

TOLERANCES:

FRACTIONS	DECIMALS	ANGLES
X ± .2 [5.08]	L ± 12 [305] = +1 [25] / -0	± 1°
XX ± .02 [51]	12 [305] < L ≤ 60 [1524] = +2 [51] / -0	
XXX ± .005 [13]	60 [1524] < L ≤ 120 [3048] = +4 [102] / -0	
	120 [3048] < L ≤ 300 [7620] = +6 [152] / -0	
	300 [7620] < L = +5% / -0	

CABLE LENGTH (L) TOLERANCES:

THIRD-ANGLE PROJECTION

THE INFORMATION AND DESIGN IN THIS DOCUMENT IS THE PROPERTY OF FAIRVIEW MICROWAVE CORPORATION. ALL RIGHTS RESERVED.

SHEET 1 OF 1