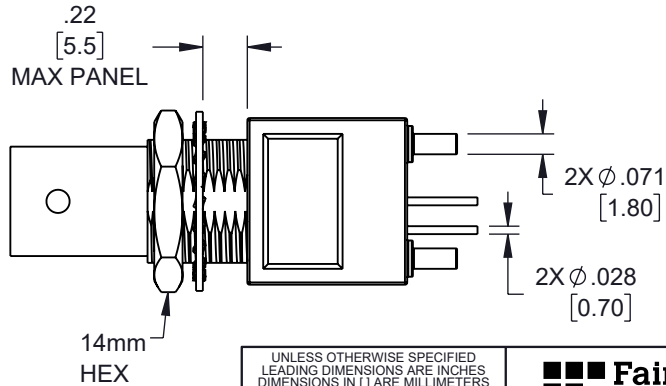
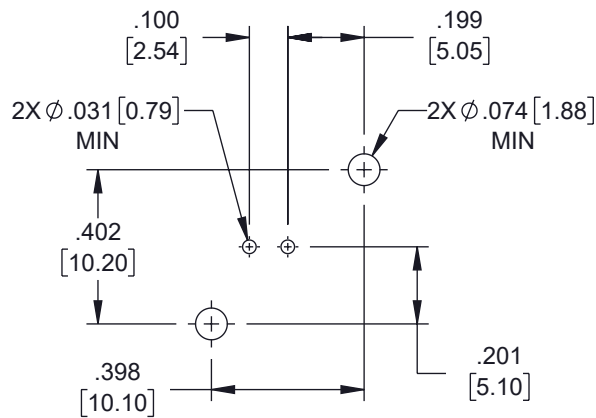
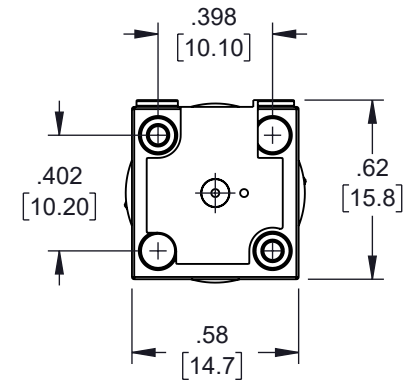
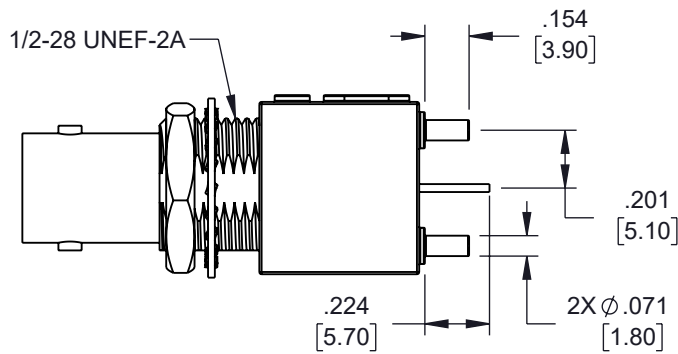
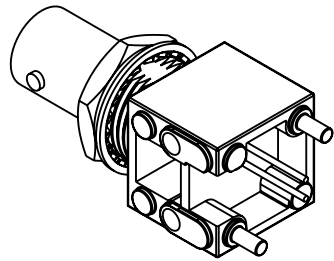
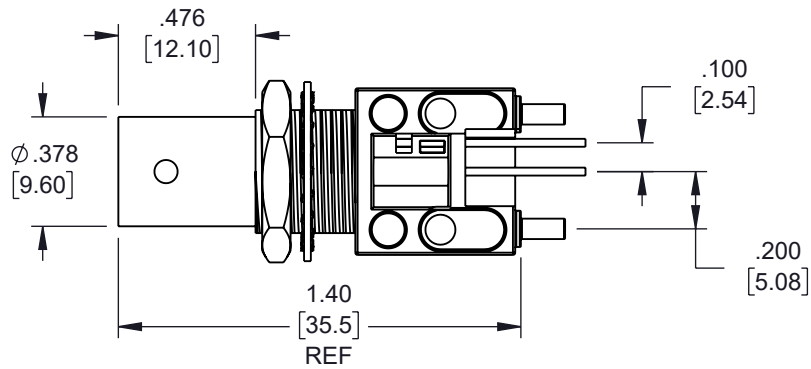
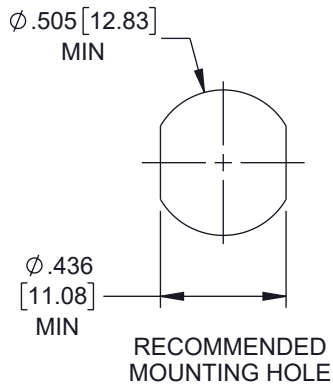


REVISION					
ZONE	REV	DESCRIPTION	DATE	CHANGED BY	APPROVED
	A	INITIAL RELEASE	7/24/2024	KDANG	AGANWANI



RECOMMENDED PCB LAYOUT

UNLESS OTHERWISE SPECIFIED LEADING DIMENSIONS ARE INCHES DIMENSIONS IN [ ] ARE MILLIMETERS

TOLERANCES:  
 X =  $\pm 2 [5]$  FRACTIONS  $\pm 1/32$   
 XX =  $\pm 0.02 [0.5]$  ANGLES  $\pm 1^\circ$   
 .XXX =  $\pm 0.005 [0.13]$

CABLE LENGTH TOLERANCES:  
 $\leq 12 [305] = +1 [25] / -0$   
 $>12 [305] \leq 60 [1524] = +2 [51] / -0$   
 $>60 [1524] \leq 120 [3048] = +4 [102] / -0$   
 $>120 [3048] \leq 300 [7620] = +6 [152] / -0$   
 $>300 [7620] = +5\% / -0$

ALL DIMENSIONS ARE FOR REFERENCE ONLY AND SUBJECT TO CHANGE WITHOUT NOTICE UN-DIMENSIONED/NON-CRITICAL FEATURES MAY VARY IN SIZE AND LOCATION COLORS MAY VARY



Website: [www.FairviewMicrowave.com](http://www.FairviewMicrowave.com)  
 Phone: 1.800.715.4396 | 1.972.649.6678

INTERPRET ALL DIMENSIONS AND TOLERANCES PER ASME Y14.5

SCALE NONE SHEET 1 OF 1

DESCRIPTION  
**BNC FEMALE BULKHEAD MOUNT COMMERCIAL GRADE CONNECTOR SOLDER ATTACHMENT THRU HOLE PCB**

SIZE	CAGE CODE	DRAWN BY	ITEM NO.	REV
A	3FKR5	KDANG	FMCN5169	A