

6

5

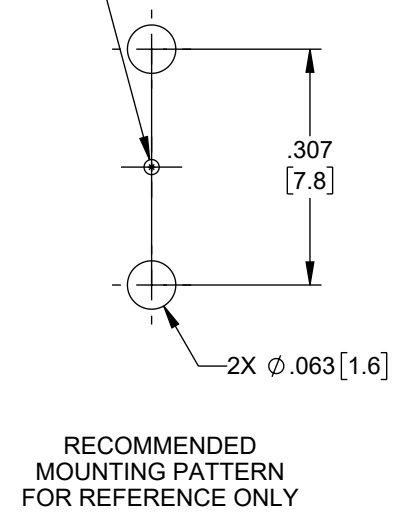
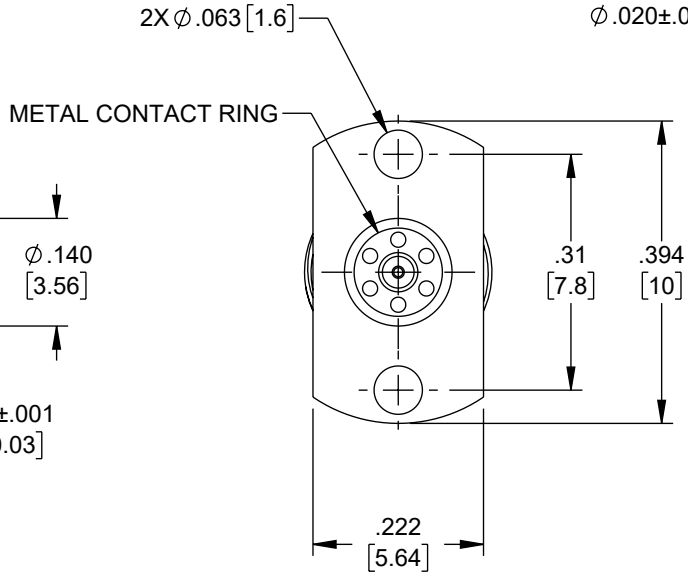
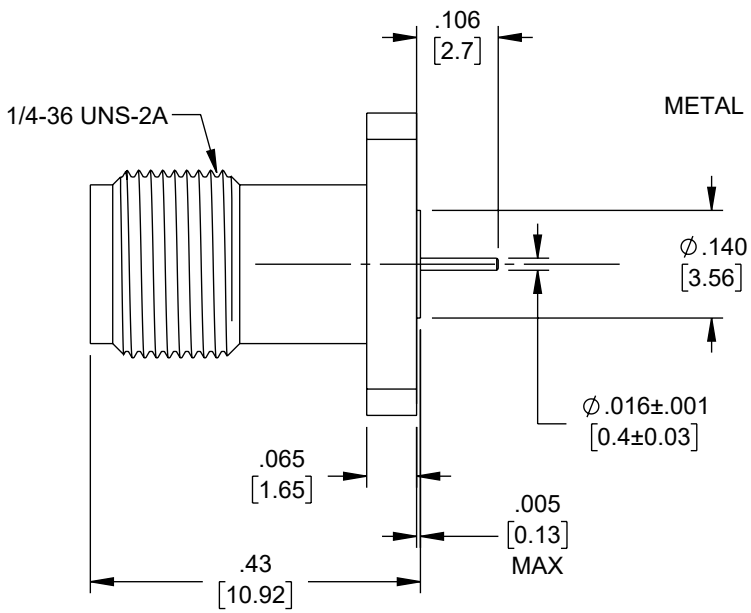
4

3

2

1

| REVISION |     |                |            |            |          |
|----------|-----|----------------|------------|------------|----------|
| ZONE     | REV | DESCRIPTION    | DATE       | CHANGED BY | APPROVED |
|          | A   | NITIAL RELEASE | 09/11/2023 | KGLEBOVA   | AGANWANI |



UNLESS OTHERWISE SPECIFIED LEADING DIMENSIONS ARE INCHES DIMENSIONS IN [ ] ARE MILLIMETERS

**TOLERANCES:**

|                     |                  |
|---------------------|------------------|
| X = ±.2 [5]         | FRACTIONS ± 1/32 |
| .XX = ±.02 [0.5]    | ± 1/32           |
| .XXX = ±.005 [0.13] | ANGLES ± 1°      |

**CABLE LENGTH TOLERANCES:**

|                |                |                 |                 |             |
|----------------|----------------|-----------------|-----------------|-------------|
| ≤12 [305]      | ≤60 [1524]     | ≤120 [3048]     | ≤300 [7620]     | >300 [7620] |
| = +1 [25] / -0 | = +2 [51] / -0 | = +4 [102] / -0 | = +6 [152] / -0 | = +5% / -0  |

ALL DIMENSIONS ARE FOR REFERENCE ONLY AND SUBJECT TO CHANGE WITHOUT NOTICE. UN-DIMENSIONED/NON-CRITICAL FEATURES MAY VARY IN SIZE AND LOCATION. COLORS MAY VARY.



Website: [www.FairviewMicrowave.com](http://www.FairviewMicrowave.com)  
Phone: 1.800.715.4396 | 1.972.649.6678

|       |        |
|-------|--------|
|       |        |
| SCALE | SHEET  |
| NONE  | 1 OF 1 |

DESCRIPTION  
2.92 mm JACK 2 HOLE FLANGE WITH ROUND CONTACT 42 GHz VSWR1.2

|      |           |          |           |     |
|------|-----------|----------|-----------|-----|
| SIZE | CAGE CODE | DRAWN BY | ITEM NO.  | REV |
| A    | 3FKR5     | KGLEBOVA | FMCN45924 | A   |

THE INFORMATION CONTAINED IN THIS DRAWING IS THE SOLE PROPERTY OF INFINITE ELECTRONICS, INC. ANY REPRODUCTION IN PART OR WHOLE WITHOUT THE WRITTEN PERMISSION OF INFINITE ELECTRONICS, INC. IS PROHIBITED. THESE COMMODITIES, TECHNOLOGY OR SOFTWARE WERE EXPORTED FROM THE UNITED STATES IN ACCORDANCE WITH THE EXPORT ADMINISTRATION REGULATIONS. DIVERSION CONTRARY TO U.S. LAW PROHIBITED.

6

5

4

3

2

1