

6

5

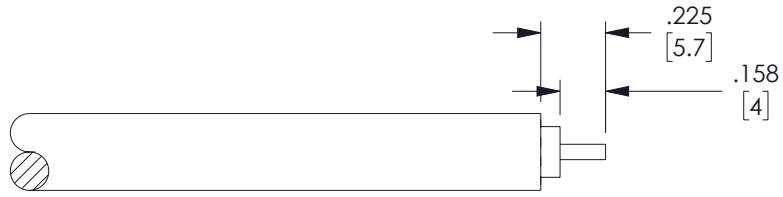
4

3

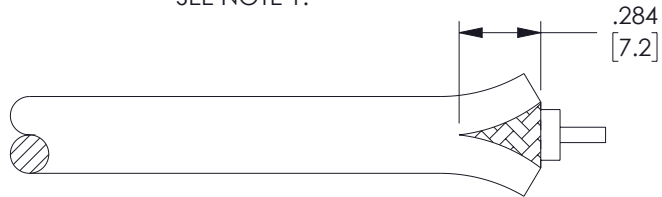
2

1

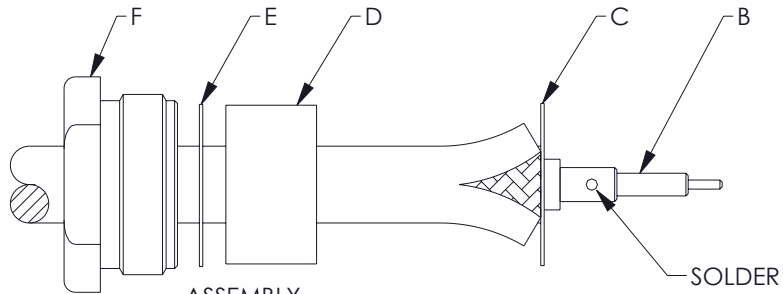
REVISION					
ZONE	REV.	DESCRIPTION	DATE	CHANGED BY	APPROVED BY
	A	INITIAL RELEASE	09/13/2022	DMAY	AGANWANI



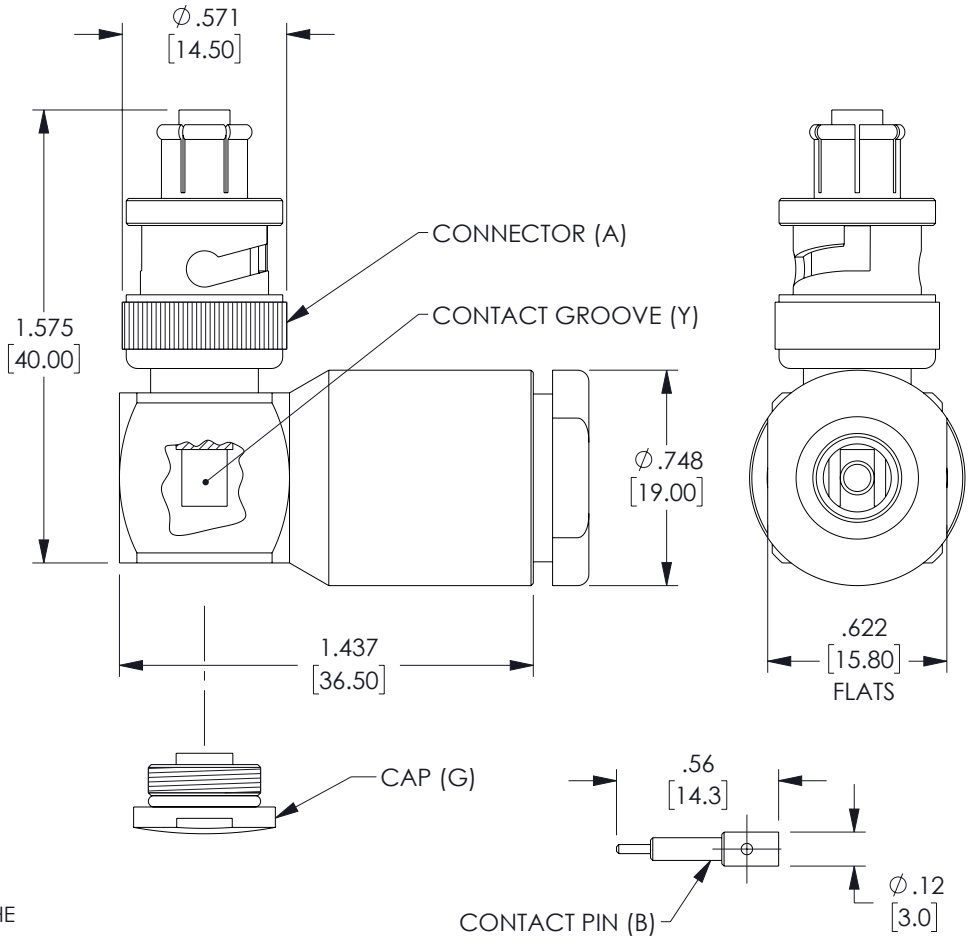
STRIPPING DIMENSIONS
SEE NOTE 1.



CABLE PREPARATION
SEE NOTE 2.



ASSEMBLY
SEE NOTES 3, 4, AND 5.



ASSEMBLY INSTRUCTIONS:

1. STRIP THE CABLE AS SHOWN. DO NOT NICK CENTER CONDUCTOR.
2. MAKE A .284 [7.20] LONG CUT IN THE CABLE JACKET. DO NOT DAMAGE THE BRAIDING.
3. SLIDE THE NUT (F), WASHER (E), AND GASKET (D) OVER THE CABLE JACKET, AS SHOWN.
4. LOOSEN THE BRAIDING AND SLIDE THE FLANGE WASHER (C) BETWEEN THE BRAIDING AND THE DIELECTRIC.
5. PLACE THE CONTACT (B) ONTO THE CENTER CONDUCTOR AND SOLDER IN PLACE.
6. INSERT THE CONTACT (B) INTO THE CONNECTOR (A) UNTIL IT APPEARS IN THE CONTACT GROOVE (Y). SLIDE THE CABLE CLAMPING HARDWARE FORWARD AND TIGHTEN THE NUT (F). SOLDER THE CONTACT (B) IN THE CONTACT GROOVE (Y).
7. SCREW THE CAP (G) INTO THE CONNECTOR BODY (A).

THE INFORMATION CONTAINED IN THIS DRAWING IS THE SOLE PROPERTY OF INFINITE ELECTRONICS, INC. ANY REPRODUCTION IN PART OR WHOLE WITHOUT THE WRITTEN PERMISSION OF INFINITE ELECTRONICS, INC. IS PROHIBITED. THESE COMMODITIES, TECHNOLOGY OR SOFTWARE WERE EXPORTED FROM THE UNITED STATES IN ACCORDANCE WITH THE EXPORT ADMINISTRATION REGULATIONS. DIVERSION CONTRARY TO U.S. LAW PROHIBITED.

UNLESS OTHERWISE SPECIFIED
LEADING DIMENSIONS ARE INCHES
DIMENSIONS IN [] ARE MILLIMETERS

TOLERANCES:
.X = ±.2 [5] FRACTIONS
.XX = ±.02 [.5] ± 1/32
.XXX = ±.005 [.13] ANGLES ± 1°

CABLE LENGTH TOLERANCES:
>12 [305] = +1 [25] / -0
>12 [305] ≤ 60 [1524] = +2 [51] / -0
>60 [1524] ≤ 120 [3048] = +4 [102] / -0
>120 [3048] ≤ 300 [7620] = +6 [152] / -0
>300 [7620] = +5% / -0

ALL DIMENSIONS ARE FOR REFERENCE ONLY
AND SUBJECT TO CHANGE WITHOUT NOTICE.



Website: www.FairviewMicrowave.com
Phone: 1.800.715.4396 | 1.972.649.6678

INTERPRET ALL DIMENSIONS AND TOLERANCES PER ASME Y14.5	
SCALE	SHEET
NONE	1 OF 1

DESCRIPTION				
SHV PLUG CLAMP RIGHT ANGLE FOR RG214				
SIZE	CAGE CODE	DRAWN BY	ITEM NO.	REV
A	3FKR5	AKRESOWSKI	FMCN45851	A

6

5

4

3

2

1