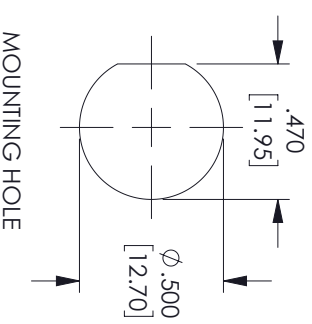
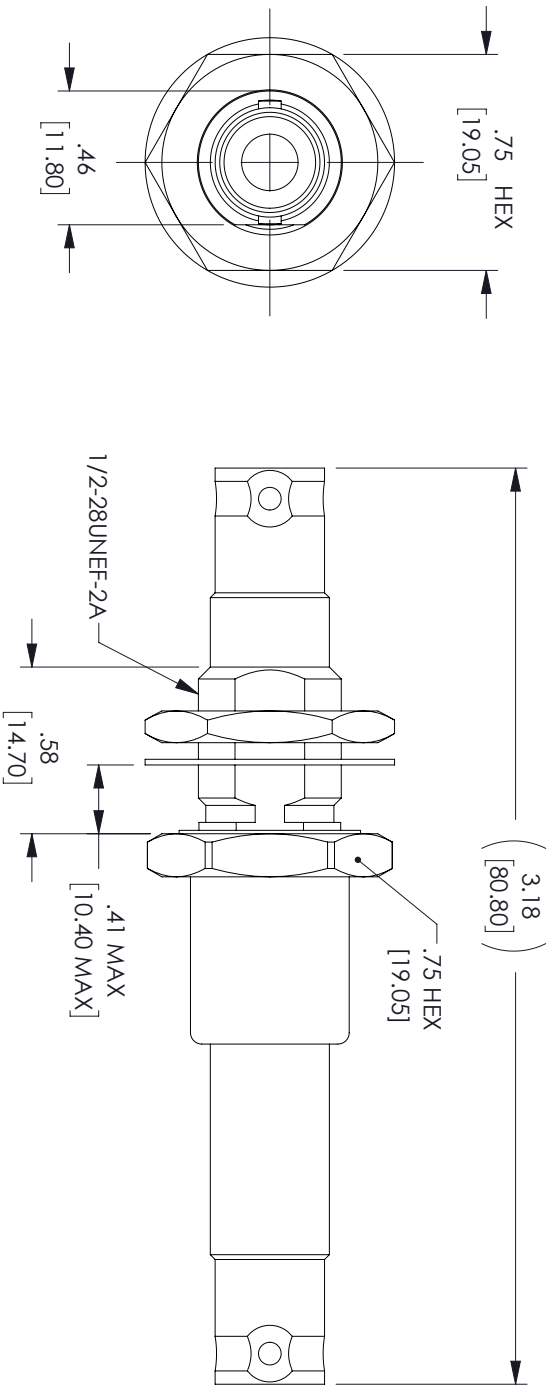


REVISIONS			
REV.	DESCRIPTION	DATE	APPROVED
A	INITIAL RELEASE	9/20/2022	VJW/ATODE



- NOTES:
- HERMITICITY 1×10^{-5} cc/sec AT 1 ATM.

THESE COMMODITIES, TECHNOLOGY OR SOFTWARE WERE EXPORTED FROM THE UNITED STATES IN ACCORDANCE WITH THE EXPORT ADMINISTRATION REGULATIONS, DIVERSION CONTRARY TO U.S. LAW PROHIBITED.



UNLESS OTHERWISE SPECIFIED LEADING DIMENSIONS ARE INCHES		THIRD-ANGLE PROJECTION	
DIMENSIONS IN [] ARE MILLIMETERS			
TOLERANCES:		THE INFORMATION AND DESIGN IN THIS DOCUMENT IS THE PROPERTY OF FAIRVIEW MICROWAVE CORPORATION. ALL RIGHTS RESERVED.	
CABLE LENGTH (L) TOLERANCES:		SHEET 1 OF 1	
L \pm 1/2 (305) = +1 (25) / -0		SCALE N/A	
12 (305) < L \leq 60 (1524) = +2 (51) / -0			
60 (1524) < L \leq 120 (3048) = +4 (102) / -0			
120 (3048) < L \leq 300 (7620) = +6 (152) / -0			
300 (7620) < L = +5%L / -0			
X = +.2 [5.08] FRACTIONS \pm 1/32			
XX = +.02 [.51] \pm 1/32			
XXX = +.005 [.13] ANGLES \pm 1°			

ALL DIMENSIONS SHOWN ARE FOR REFERENCE ONLY.			
SIZE	GAGE CODE	DRAWN BY	ITEM NO.
A	3FKRS	DMAY	FMCN45840
			REV
			A