

6

5

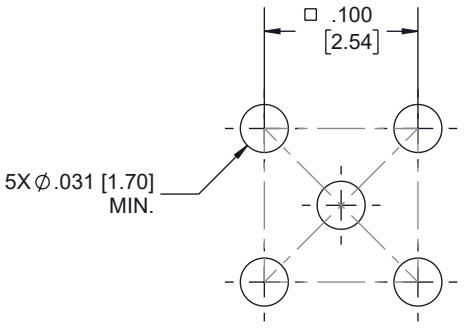
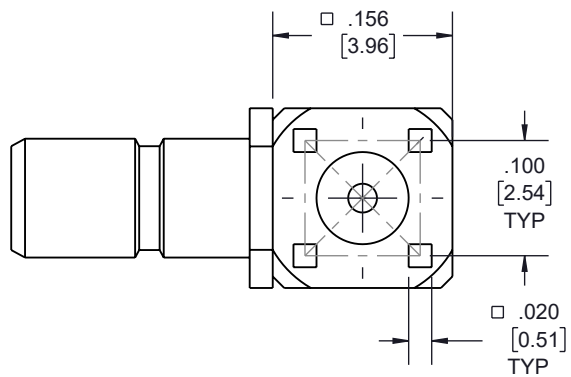
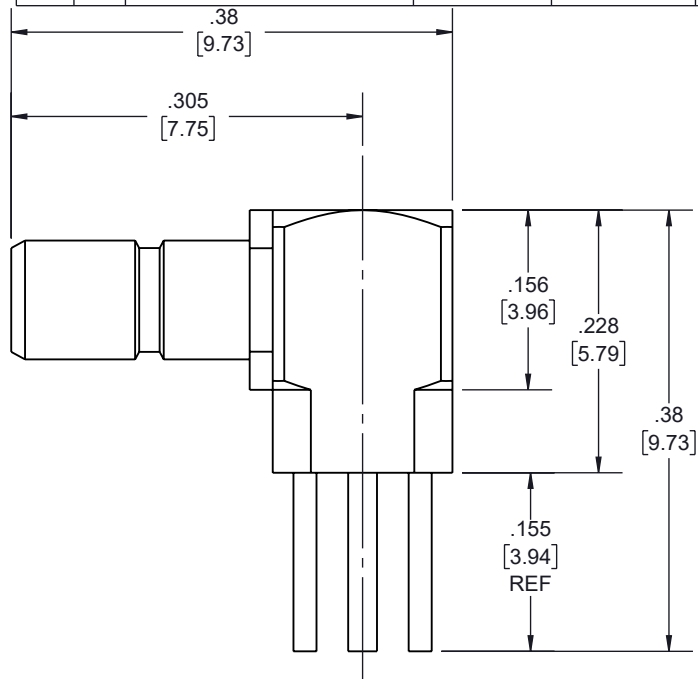
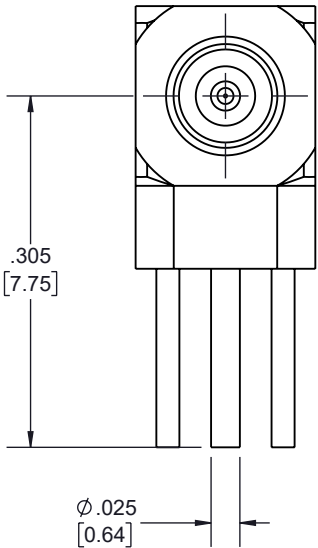
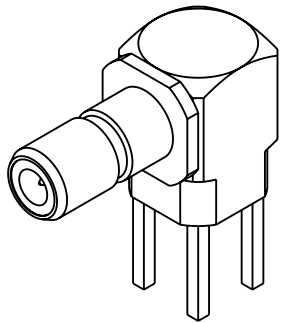
4

3

2

1

| REVISION |      |                 |            |            |          |
|----------|------|-----------------|------------|------------|----------|
| ZONE     | REV. | DESCRIPTION     | DATE       | CHANGED BY | APPROVED |
|          | A    | INITIAL RELEASE | 12/22/2022 | KDANG      | AGANWANI |



**RECOMMENDED  
PATTERN MOUNTING HOLE**

UNLESS OTHERWISE SPECIFIED  
LEADING DIMENSIONS ARE INCHES  
DIMENSIONS IN [ ] ARE MILLIMETERS

**TOLERANCES:**

|                    |             |
|--------------------|-------------|
| .X = ±.2 [5]       | FRACTIONS   |
| .XX = ±.02 [.5]    | ± 1/32      |
| .XXX = ±.005 [.13] | ANGLES ± 1° |

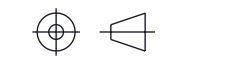
**CABLE LENGTH TOLERANCES:**

|  |
|--|
| >12 [305] = +1 [25] / -0                 |
| >12 [305] ≤ 60 [1524] = +2 [51] / -0     |
| >60 [1524] ≤ 120 [3048] = +4 [102] / -0  |
| >120 [3048] ≤ 300 [7620] = +6 [152] / -0 |
| >300 [7620] = +5% / -0                   |

ALL DIMENSIONS ARE FOR REFERENCE ONLY  
AND SUBJECT TO CHANGE WITHOUT NOTICE.



Website: [www.FairviewMicrowave.com](http://www.FairviewMicrowave.com)  
Phone: 1.800.715.4396 | 1.972.649.6678



|       |        |
|-------|--------|
| SCALE | SHEET  |
| NONE  | 1 OF 1 |

DESCRIPTION  
**RF PCB Connector, SSMB Jack Right Angle Connector Solder  
Attachment Thru Hole PCB, .100 inch x .031 inch Hole Spacing**

|      |           |          |          |     |
|------|-----------|----------|----------|-----|
| SIZE | CAGE CODE | DRAWN BY | ITEM NO. | REV |
| A    | 3FKR5     | KDANG    | FMCN4341 | A   |

THE INFORMATION CONTAINED IN THIS DRAWING IS THE SOLE PROPERTY OF INFINITE ELECTRONICS, INC. ANY REPRODUCTION IN PART OR WHOLE WITHOUT THE WRITTEN PERMISSION OF INFINITE ELECTRONICS, INC. IS PROHIBITED. THESE COMMODITIES, TECHNOLOGY OR SOFTWARE WERE EXPORTED FROM THE UNITED STATES IN ACCORDANCE WITH THE EXPORT ADMINISTRATION REGULATIONS. DIVERSION CONTRARY TO U.S. LAW PROHIBITED.

6

5

4

3

2

1