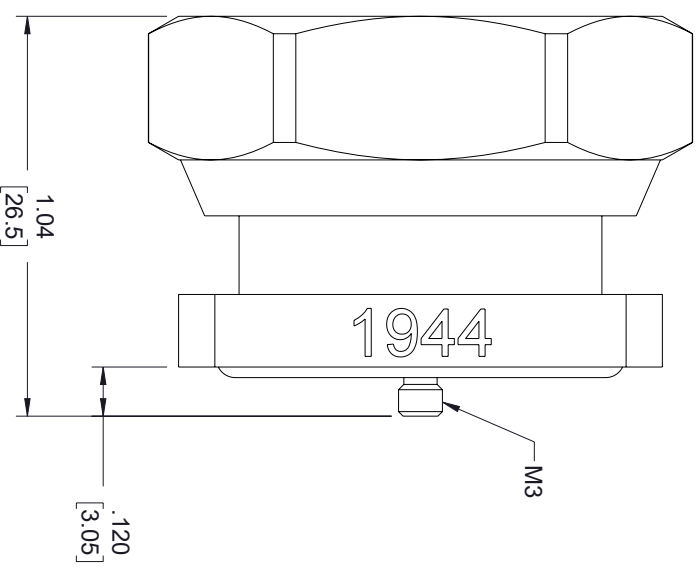
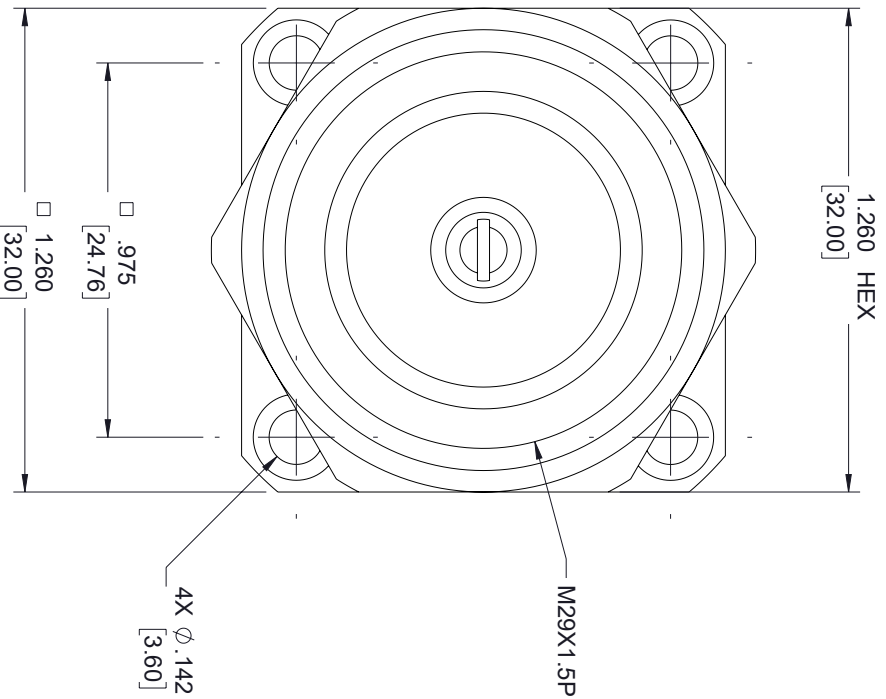


REVISIONS			
REV.	DESCRIPTION	DATE	APPROVED
A	INITIAL RELEASE	12/12/2022	AGANWANI



THESE COMMODITIES, TECHNOLOGY OR SOFTWARE WERE EXPORTED FROM THE UNITED STATES IN ACCORDANCE WITH THE EXPORT ADMINISTRATION REGULATIONS, DIVERSION CONTRARY TO U.S. LAW PROHIBITED.



TITLE

UNLESS OTHERWISE SPECIFIED LEADING DIMENSIONS ARE INCHES DIMENSIONS IN [] ARE MILLIMETERS				THIRD-ANGLE PROJECTION			
TOLERANCES:				CABLE LENGTH (L) TOLERANCES:			
X = ±.2 [5.08]		FRACTIONS ± 1/32		L ± 1/2 (305) = +1 [25] / -0		THE INFORMATION AND DESIGN IN THIS DOCUMENT IS THE PROPERTY OF FAIRVIEW MICROWAVE CORPORATION. ALL RIGHTS RESERVED.	
XX = ±.02 [.51]		± 1/32		12 (305) < L ≤ 60 (1524) = +2 [51] / -0		SHEET 1 OF 1	
XXX = ±.005 [.13]		ANGLES ± 1°		60 (1524) < L ≤ 120 (3048) = +4 [102] / -0		SCALE N/A	
				120 (3048) < L ≤ 300 (7620) = +6 [152] / -0		REV A	
				300 (7620) < L = +5% / -0		ITEM NO. FMCN1944	
ALL DIMENSIONS SHOWN ARE FOR REFERENCE ONLY.				SIZE A			
GAGE CODE 3FKRS				DRAWN BY HBAKKE			
DRAWN BY HBAKKE				ITEM NO. FMCN1944			
GAGE CODE 3FKRS				REV A			
SIZE A				REV A			