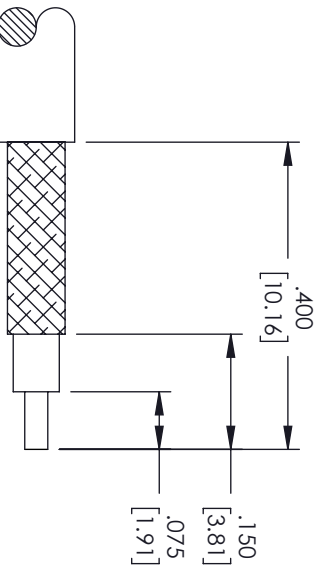
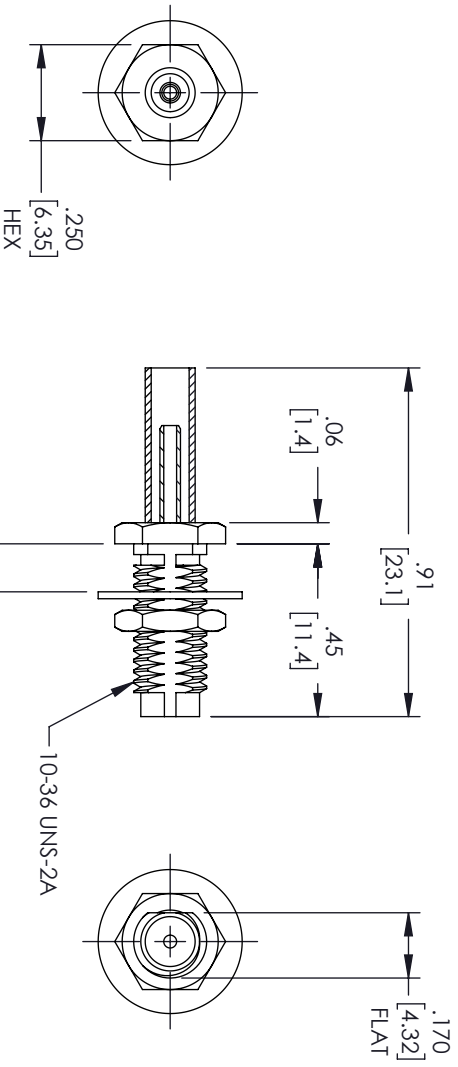
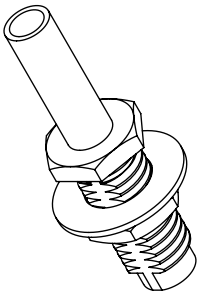


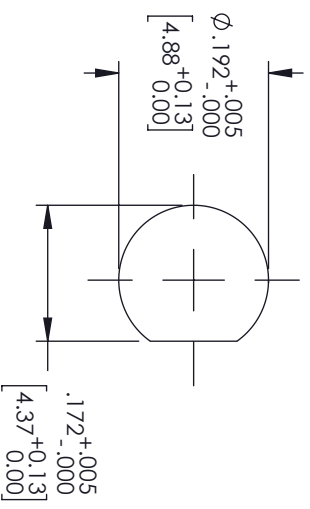
REVISIONS			
REV.	DESCRIPTION	DATE	APPROVED
A	INITIAL RELEASE	02/21/2022	AGANWANI



STRIPPING DIMENSIONS

CRIMP SIZE REQUIRED

CONTACT: SOLDER
FERRULE: .128 [3.25] HEX CRIMP TOOL



THESE COMMODITIES, TECHNOLOGY OR SOFTWARE WERE EXPORTED FROM THE UNITED STATES IN ACCORDANCE WITH THE EXPORT ADMINISTRATION REGULATIONS, DIVERSION CONTRARY TO U.S. LAW PROHIBITED.



TITLE

UNLESS OTHERWISE SPECIFIED LEADING DIMENSIONS ARE INCHES				THIRD-ANGLE PROJECTION	
DIMENSIONS IN [] ARE MILLIMETERS					
TOLERANCES:				THE INFORMATION AND DESIGN IN THIS DOCUMENT IS THE PROPERTY OF FAIRVIEW MICROWAVE CORPORATION. ALL RIGHTS RESERVED.	
CABLE LENGTH (L) TOLERANCES:		L ± 1/2 (806) = +1/2 (51) / -0		SHEET 1 OF 1	
X = ±.2 [5.08]		FRACTIONS ± 1/32		SCALE N/A	
XX = ±.02 [.51]		60 [1524] < L ≤ 120 [3048] = ±4 [102] / -0		REV A	
XXX = ±.005 [.13]		120 [3048] < L ≤ 300 [7620] = +6 [152] / -0		ITEM NO. FMCN1858	
		300 [7620] < L = +5% / -0		DRAWN BY A. KRESOWSK	
ALL DIMENSIONS SHOWN ARE FOR REFERENCE ONLY.					
SIZE A	GAGE CODE 3FKRS	ITEM NO. FMCN1858	REV A		