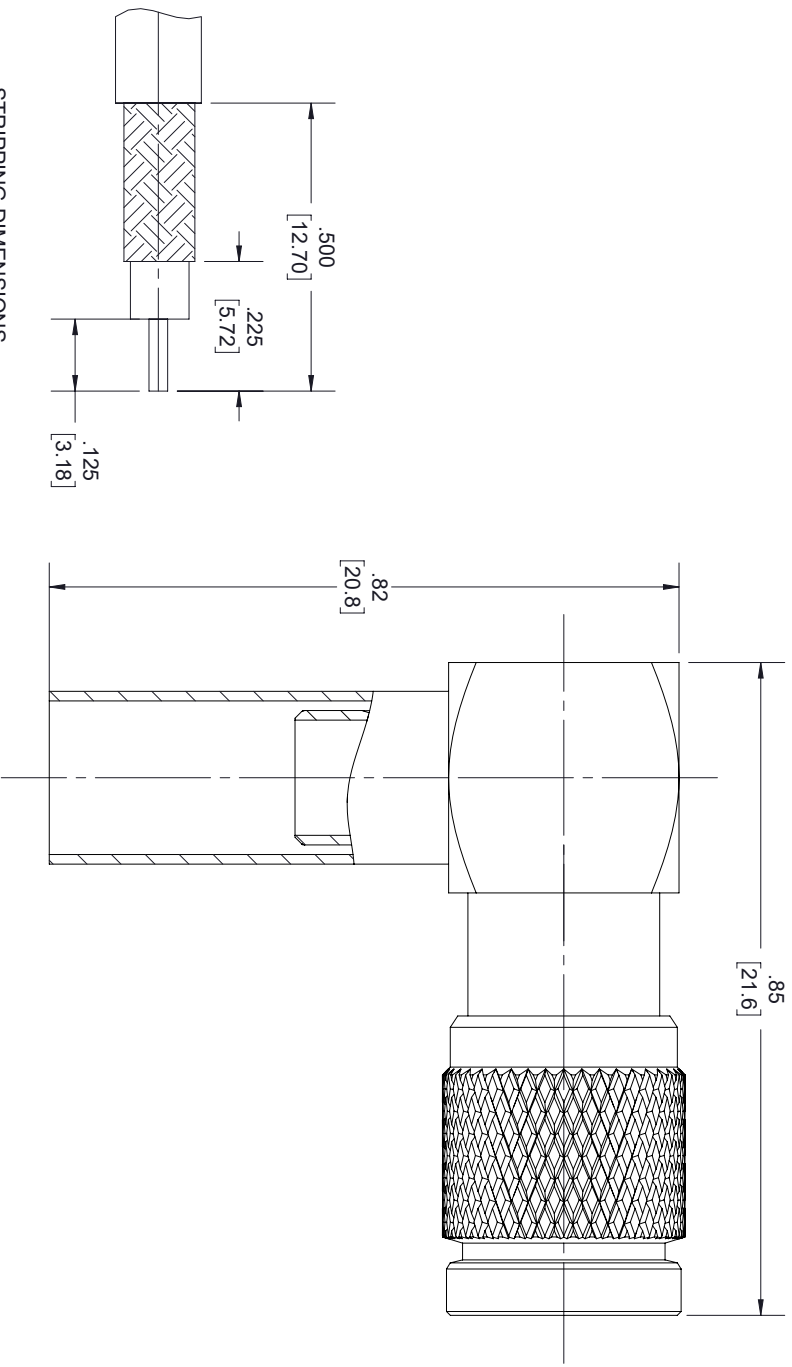


REVISIONS			
REV.	DESCRIPTION	DATE	APPROVED
A	INITIAL RELEASE	02/1/2022	A.GANWANI



**STRIPPING DIMENSIONS**

**ASSEMBLY PROCEDURES**

1. STRIP CABLE AS SHOWN. SLIDE FERRULE OVER CABLE.
2. INSTALL CABLE INTO BODY OF CONNECTOR AND SOFT SOLDER CENTER CONDUCTOR IN PLACE.
3. CRIMP FERRULE, INSERT INSULATOR AND SCREW CAP.

**CRIMP SIZE REQUIRED**

FERRULE: .213" [5.41] HEX CRIMP TOOL.

THESE COMMODITIES, TECHNOLOGY OR SOFTWARE WERE EXPORTED FROM THE UNITED STATES IN ACCORDANCE WITH THE EXPORT ADMINISTRATION REGULATIONS, DIVERSION CONTRARY TO U.S. LAW PROHIBITED.



TITLE

UNLESS OTHERWISE SPECIFIED LEADING DIMENSIONS ARE INCHES				THIRD-ANGLE PROJECTION	
DIMENSIONS IN [ ] ARE MILLIMETERS					
TOLERANCES:				THE INFORMATION AND DESIGN IN THIS DOCUMENT IS THE PROPERTY OF FAIRVIEW MICROWAVE CORPORATION. ALL RIGHTS RESERVED.	
FRACTIONS		CABLE LENGTH (L) TOLERANCES:		SCALE	
X = ±.2	[.08]	L ± 1/2 B(05) = +1 [25] / -0	1		
XX = ±.02	[.51]	12 [305] < L ≤ 60 [1524] = +2 [51] / -0	1		
XXX = ±.005	[.13]	60 [1524] < L ≤ 120 [3048] = +4 [102] / -0	1		
ANGLES ± 1°		120 [3048] < L ≤ 300 [7620] = +6 [152] / -0	1		
		300 [7620] < L = +5%L / -0	1		
SIZE	GAGE CODE	DRAWN BY	ITEM NO.	REV	
A	3FKR5	K.GLEBOVA	FMCN1819	A	N/A
ALL DIMENSIONS SHOWN ARE FOR REFERENCE ONLY.					