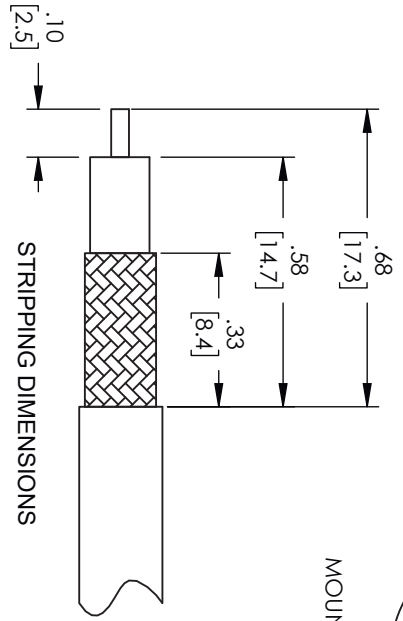
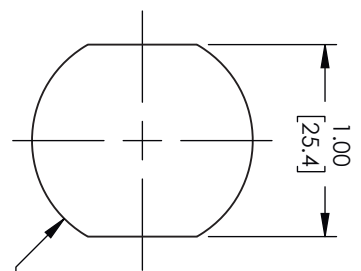
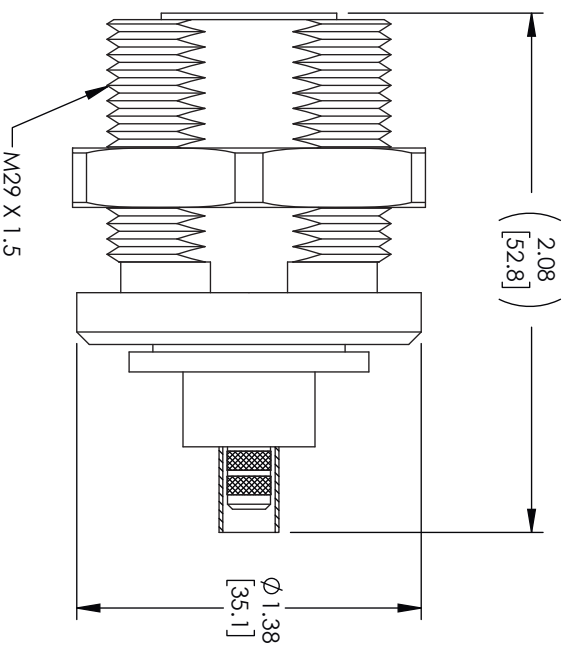
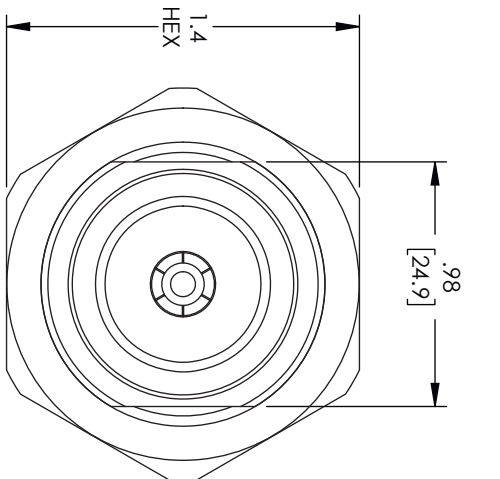
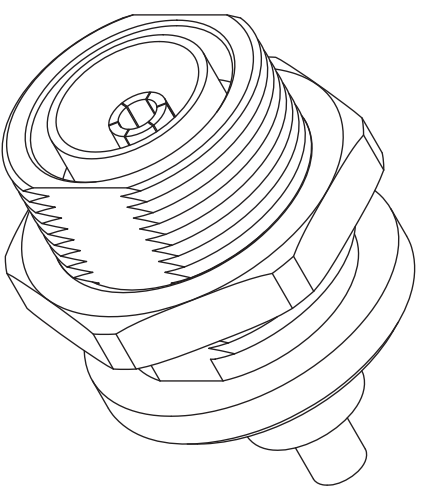


REVISIONS			
REV.	DESCRIPTION	DATE	APPROVED
A	INITIAL RELEASE	9/22/2021	SRAUTUS



CRIMP SIZE REQUIRED  
 CONTACT: SOLDER  
 FERRULE: .213" HEX CRIMP TOOL



THESE COMMODITIES, TECHNOLOGY OR SOFTWARE WERE EXPORTED FROM THE UNITED STATES IN ACCORDANCE WITH THE EXPORT ADMINISTRATION REGULATIONS, DIVERSION CONTRARY TO U.S. LAW PROHIBITED.



TITLE

UNLESS OTHERWISE SPECIFIED LEADING DIMENSIONS ARE INCHES  
 DIMENSIONS IN [ ] ARE MILLIMETERS

THIRD-ANGLE PROJECTION

TOLERANCES:

FRACTIONS	CABLE LENGTH (L) TOLERANCES:
X = ±.2 [5.08]	L ≤ 12 [305] = ±.1 [25] / -0
XX = ±.02 [ .51]	12 [305] < L ≤ 60 [1524] = ±.2 [51] / -0
XXX = ±.005 [ .13]	60 [1524] < L ≤ 120 [3048] = ±.4 [102] / -0
	120 [3048] < L ≤ 300 [7620] = +.6 [152] / -0
	300 [7620] < L = +5%L / -0

THE INFORMATION AND DESIGN IN THIS DOCUMENT IS THE PROPERTY OF FAIRVIEW MICROWAVE CORPORATION. ALL RIGHTS RESERVED.

ALL DIMENSIONS SHOWN ARE FOR REFERENCE ONLY.

SIZE	GAGE CODE	DRAWN BY	ITEM NO.	SCALE	REV
A	3FKRS	DMAY	FMCN1754	N/A	A