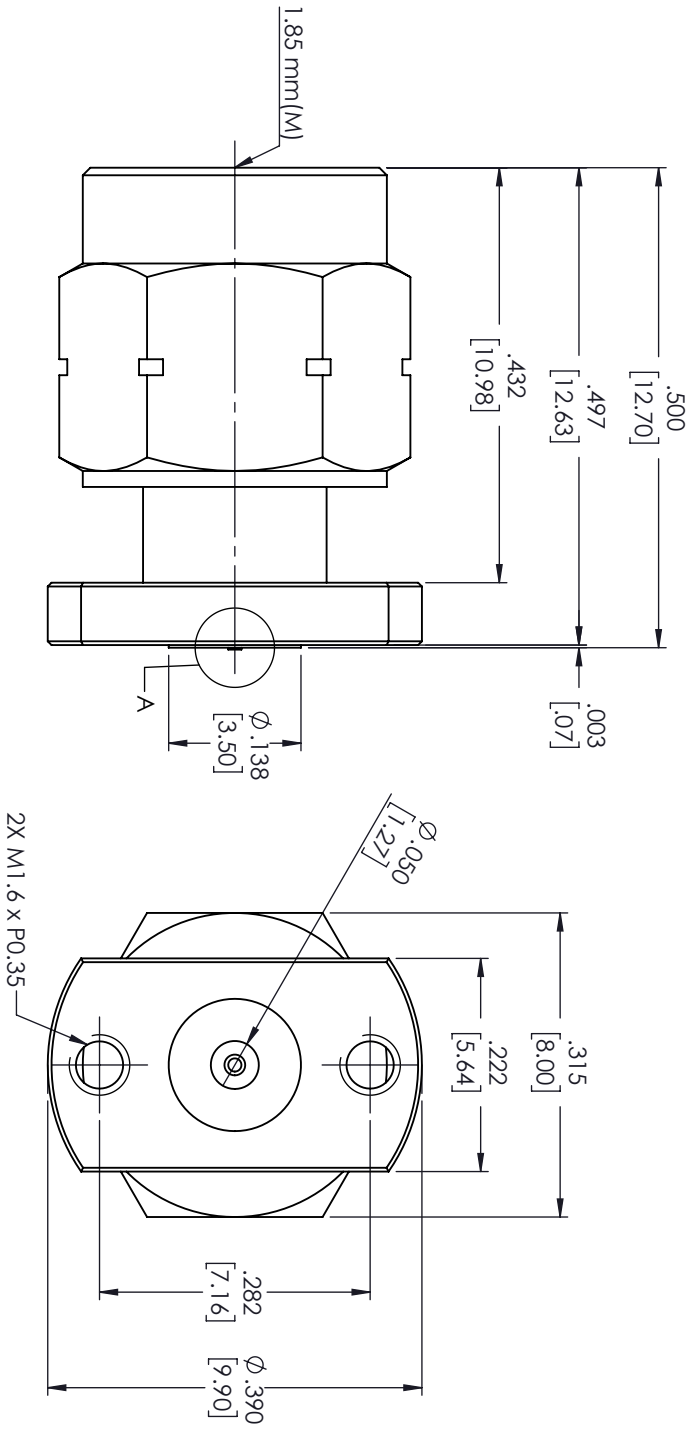
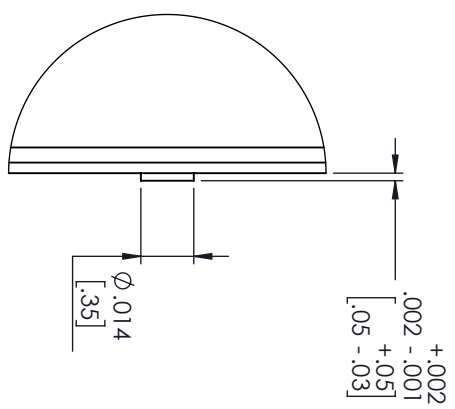
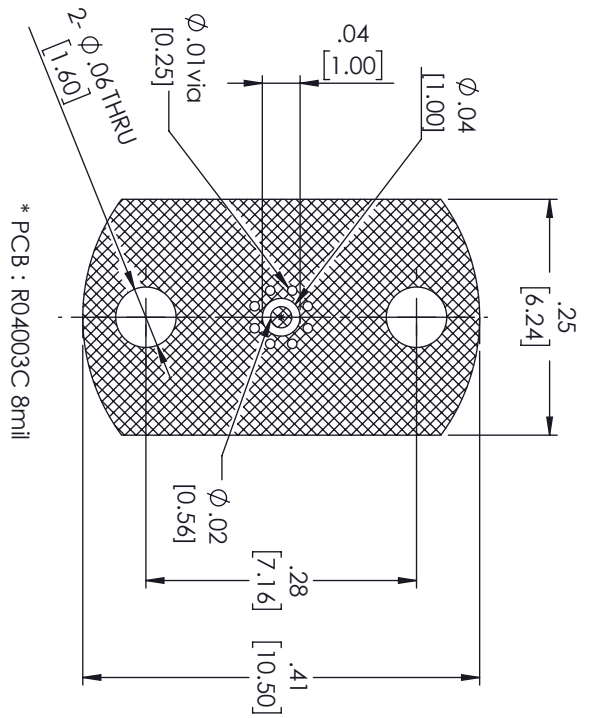


REVISIONS			
REV.	DESCRIPTION	DATE	APPROVED
A	INITIAL RELEASE	07-07-2021	AGANWANI



RECOMMENDED
TOP PCB PATTERN



DETAIL A

THESE COMMODITIES, TECHNOLOGY OR SOFTWARE WERE EXPORTED FROM THE UNITED STATES IN ACCORDANCE WITH THE EXPORT ADMINISTRATION REGULATIONS, DIVERSION CONTRARY TO U.S. LAW PROHIBITED.



TITLE

UNLESS OTHERWISE SPECIFIED LEADING DIMENSIONS ARE INCHES				THIRD-ANGLE PROJECTION			
DIMENSIONS IN [] ARE MILLIMETERS							
TOLERANCES:				THE INFORMATION AND DESIGN IN THIS DOCUMENT IS THE PROPERTY OF FAIRVIEW MICROWAVE CORPORATION. ALL RIGHTS RESERVED.			
FRACTIONS		CABLE LENGTH (L) TOLERANCES:		L ≤ 12 [305] = +1 [25] / -0		SHEET	
X = +.2	[.08]	12 [305]	< L ≤ 60 [1524] = +2 [51] / -0	60 [1524] < L ≤ 120 [3048] = +4 [102] / -0		OF	
XX = +.02	[.51]	120 [3048] < L ≤ 300 [7620] = +6 [152] / -0	300 [7620] < L = +5%L / -0	SCALE		1	
XXX = +.005	[.13]			N/A		REV	
ALL DIMENSIONS SHOWN ARE FOR REFERENCE ONLY.				A			
SIZE	GAGE CODE	DRAWN BY	ITEM NO.	REV		A	
A	3FKRS	MVEERAPPAN	FMCN1732				