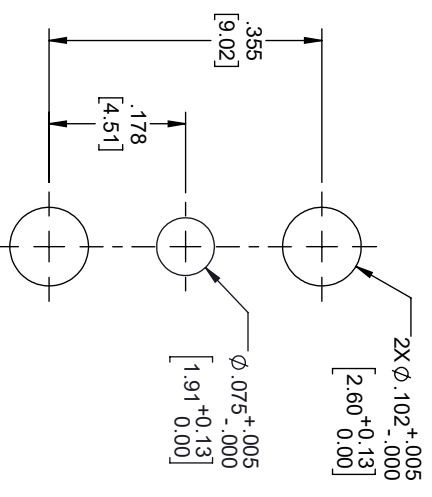
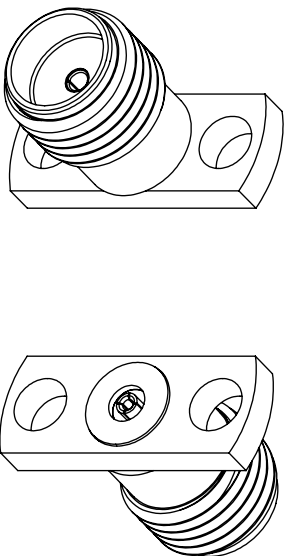
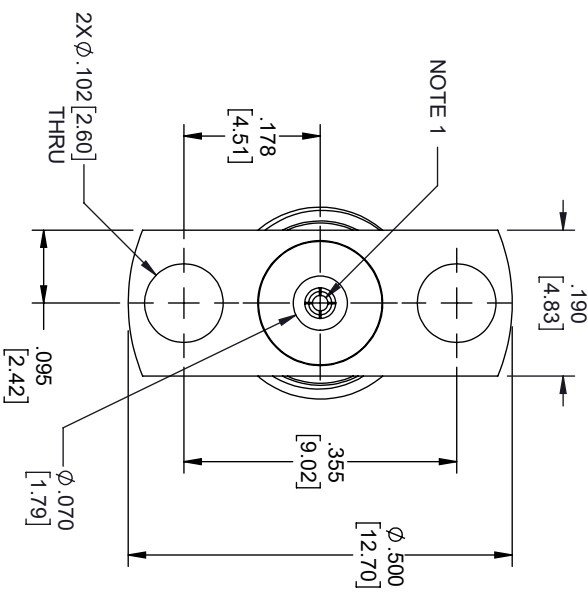
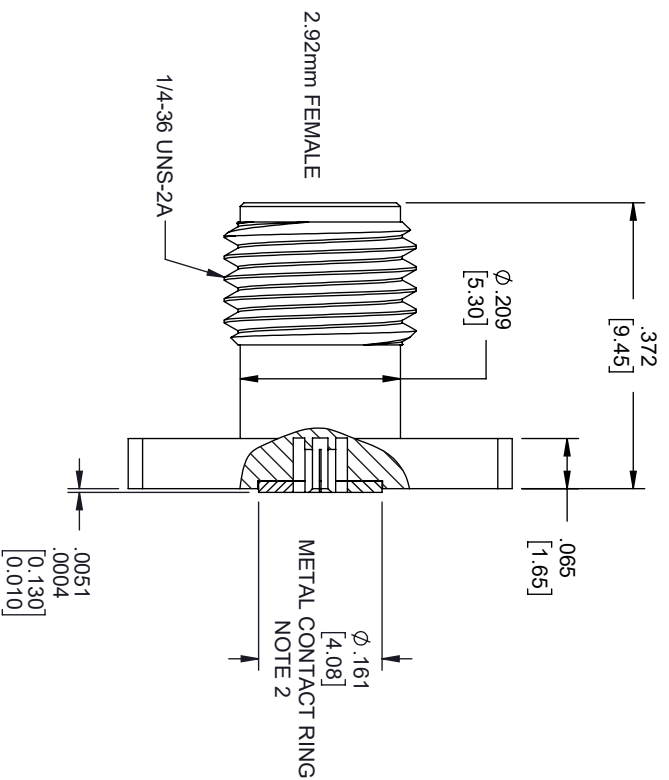


REVISIONS			
REV.	DESCRIPTION	DATE	APPROVED
A	INITIAL RELEASE	04/06/2020	S. ELLIS



- NOTES:
- FEMALE CONTACT ACCEPTS PIN SIZE ϕ .020 [0.51] ∇ .071 [1.80] MAX.
 - SEPARATE METAL CONTACT RING.

THESE COMMODITIES, TECHNOLOGY OR SOFTWARE WERE EXPORTED FROM THE UNITED STATES IN ACCORDANCE WITH THE EXPORT ADMINISTRATION REGULATIONS, DIVERSION CONTRARY TO U.S. LAW PROHIBITED.



TITLE

UNLESS OTHERWISE SPECIFIED LEADING DIMENSIONS ARE INCHES
DIMENSIONS IN [] ARE MILLIMETERS

TOLERANCES:

FRACTIONS
X = ±.2 [5.08]
XX = ±.02 [.51]
XXX = ±.005 [.13]

CABLE LENGTH (L) TOLERANCES:

L ≤ 12 [305] = ±1 [25] / -0
12 [305] < L ≤ 60 [1524] = ±2 [51] / -0
60 [1524] < L ≤ 120 [3048] = ±4 [102] / -0
120 [3048] < L ≤ 300 [7620] = ±6 [152] / -0
300 [7620] < L = +5%L / -0

THIRD-ANGLE PROJECTION
THE INFORMATION AND DESIGN IN THIS DOCUMENT IS THE PROPERTY OF FAIRVIEW MICROWAVE CORPORATION. ALL RIGHTS RESERVED.

SHEET 1 OF 1

ALL DIMENSIONS SHOWN ARE FOR REFERENCE ONLY.

SCALE

SIZE

GAGE CODE
A
3FKRS

DRAWN BY
DZINN

ITEM NO.

FMCN1655

REV

A