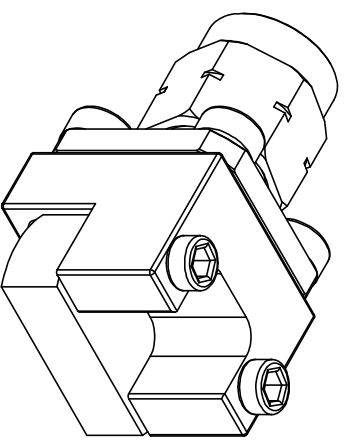


STANDARD TOLERANCES
 .X ±0.2
 .XX ±0.01
 .XXX ±0.005

*STANDARD TOLERANCES APPLY
 ONLY TO DIMENSIONS IN INCHES



FAIRVIEW MICROWAVE INC.
 ALLEN, TX 75013 WWW.FAIRVIEWMICROWAVE.COM

NOTES:
 1. UNLESS OTHERWISE SPECIFIED ALL DIMENSIONS ARE NOMINAL.
 2. ALL SPECIFICATIONS ARE SUBJECT TO CHANGE WITHOUT NOTICE AT ANY TIME.
 3. DIMENSIONS ARE IN INCHES [mm].

| | | | | |
|----------|----------|-------|-----------|--------|
| TITLE | DWG NO | | CAGE CODE | |
| | FMCN1518 | | 3FKR5 | |
| CAD FILE | 09/12/18 | SHEET | SCALE N/A | SIZE A |
| | | | | CN2245 |