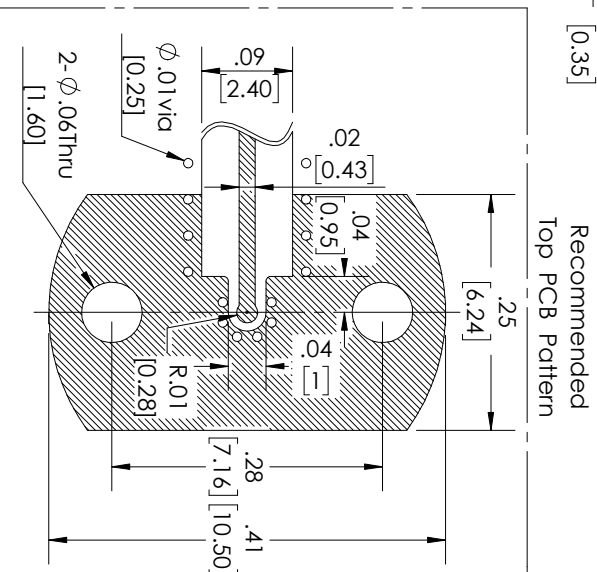
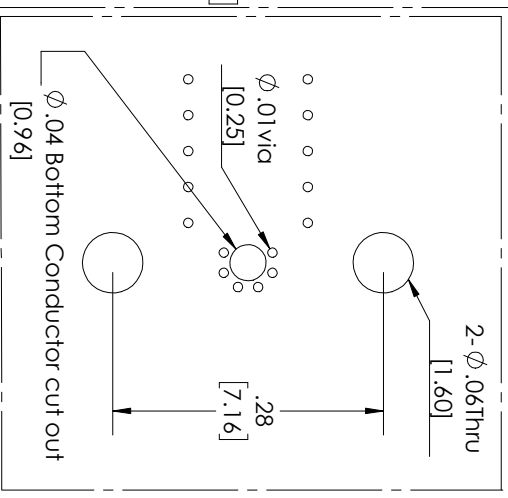


DETAIL A



Recommended  
Top PCB Pattern



Recommended  
Bottom PCB Pattern

STANDARD TOLERANCES  
.X ±0.2  
.XX ±0.101  
.XXX ±0.005

\* PCB : R04003C 8mil

\*STANDARD TOLERANCES APPLY ONLY TO DIMENSIONS IN INCHES

**FAIRVIEW MICROWAVE INC.**  
ALLEN, TX 75013 WWW.FAIRVIEWMICROWAVE.COM

NOTES:  
1. UNLESS OTHERWISE SPECIFIED ALL DIMENSIONS ARE NOMINAL.  
2. ALL SPECIFICATIONS ARE SUBJECT TO CHANGE WITHOUT NOTICE AT ANY TIME.  
3. DIMENSIONS ARE IN INCHES [mm].

TITLE		DWG NO		CAGE CODE	
		FMQNI482		3FKR5	
CAD FILE	06/04/18	SHEET		SCALE	N/A
				SIZE	A
					CN2379