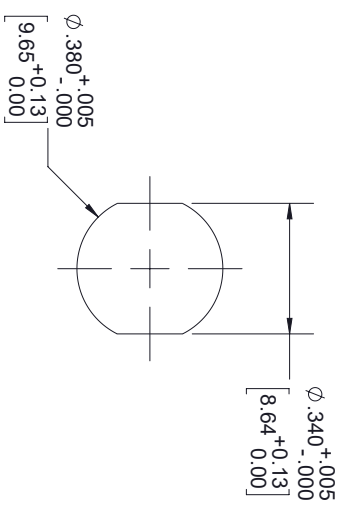


**MHV FEMALE  
BULKHEAD**

**STANDARD TOLERANCES**

|      |        |
|------|--------|
| .X   | ±0.2   |
| .XX  | ±0.01  |
| .XXX | ±0.005 |

\*STANDARD TOLERANCES APPLY ONLY TO DIMENSIONS IN INCHES



**MOUNTING HOLE**



NOTES:  
1. UNLESS OTHERWISE SPECIFIED ALL DIMENSIONS ARE NOMINAL.  
2. ALL SPECIFICATIONS ARE SUBJECT TO CHANGE WITHOUT NOTICE AT ANY TIME.  
3. DIMENSIONS ARE IN INCHES [mm].

|          |          |          |        |           |      |
|----------|----------|----------|--------|-----------|------|
| TITLE    |          | DWG NO   |        | CAGE CODE |      |
|          |          | FMCN1361 |        | 3FKR5     |      |
| CAD FILE | 10/24/18 | SHEET    | 1 OF 1 | SCALE     | N/A  |
|          |          |          |        | SIZE      | A    |
|          |          |          |        |           | 7361 |