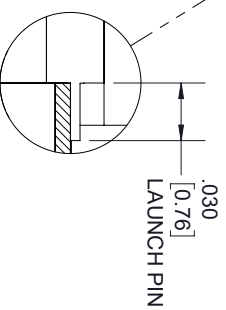
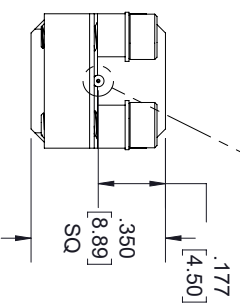
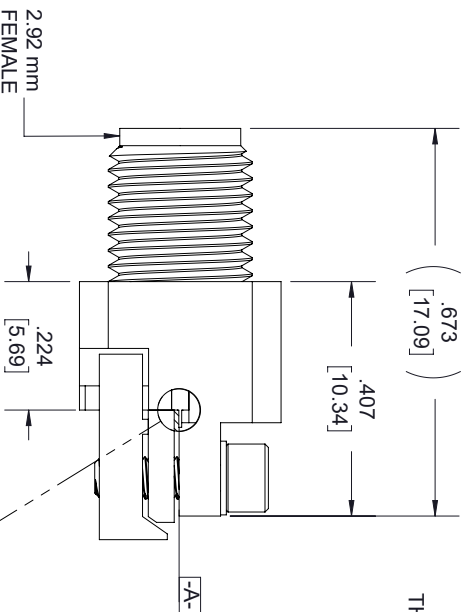


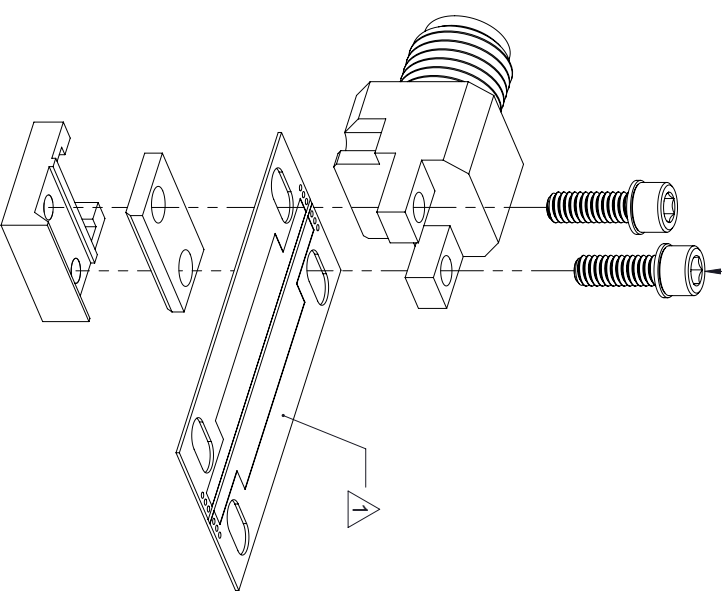
2X 1-72 SHCS X 5/16" L.
(1/16" [1.57] HEX SOCKET)



PCB FOR REFERENCE ONLY.
MIN THICKNESS : .005"
MAX THICKNESS : .040"

STANDARD TOLERANCES
.X ±0.2
.XX ±0.01
.XXX ±0.005

*STANDARD TOLERANCES APPLY ONLY TO DIMENSIONS IN INCHES



FAIRVIEW MICROWAVE INC.

ALLEN, TX 75013 WWW.FAIRVIEWMICROWAVE.COM

NOTES:
1. UNLESS OTHERWISE SPECIFIED ALL DIMENSIONS ARE NOMINAL.
2. ALL SPECIFICATIONS ARE SUBJECT TO CHANGE WITHOUT NOTICE AT ANY TIME.
3. DIMENSIONS ARE IN INCHES [mm].

TITLE		DWG NO		CAGE CODE	
		FMCN1335		3FKR5	
CAD FILE	121917	SHEET	1 OF 1	SCALE	N/A
		SIZE	A		7361