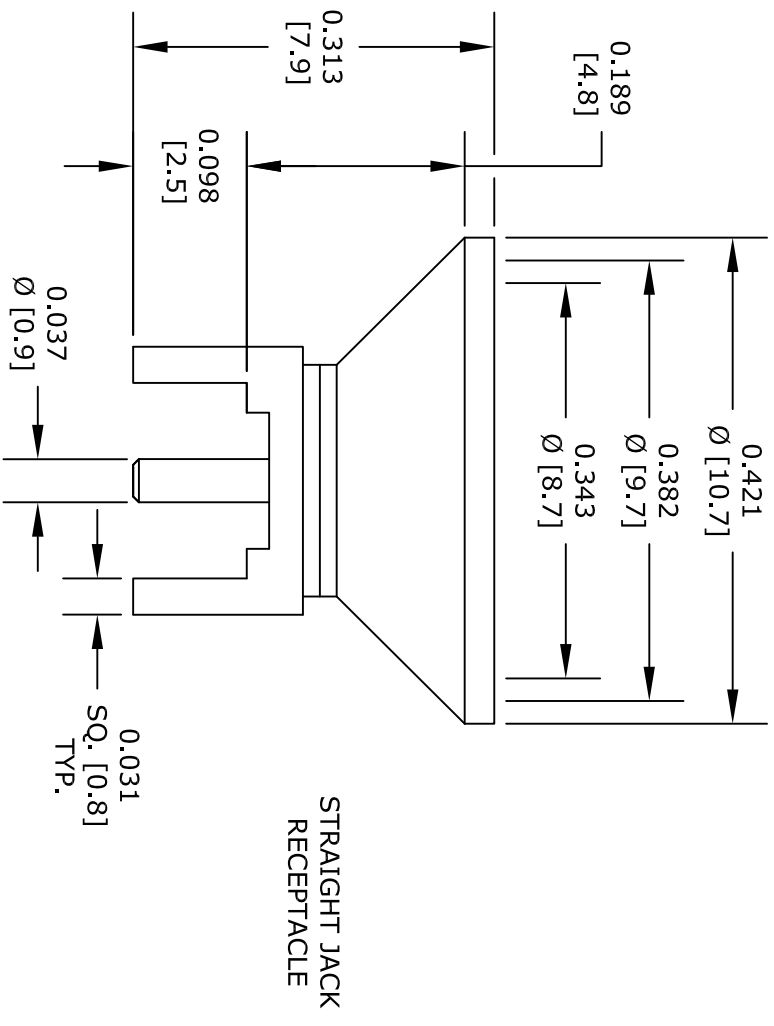


MOUNTING HOLES



| STANDARD TOLERANCES |       |
|---------------------|-------|
| .X                  | ±0.2  |
| .XX                 | ±0.1  |
| .XXX                | ±0.05 |

\*STANDARD TOLERANCES APPLY  
ONLY TO DIMENSIONS IN INCHES

**FAIRVIEW MICROWAVE INC.**

ALLEN, TX 75013 WWW.FAIRVIEWMICROWAVE.COM

NOTES:  
1. UNLESS OTHERWISE SPECIFIED ALL DIMENSIONS ARE NOMINAL.  
2. ALL SPECIFICATIONS ARE SUBJECT TO CHANGE WITHOUT NOTICE AT ANY TIME.  
3. DIMENSIONS ARE IN INCHES [mm].

| TITLE    |        | DWG NO        |  | CAGE CODE |      |
|----------|--------|---------------|--|-----------|------|
|          |        | FMCN1030TR500 |  | 3FKR5     |      |
| CAD FILE | 113016 | SHEET         |  | SCALE     | N/A  |
|          |        |               |  | SIZE      | A    |
|          |        |               |  |           | 2233 |