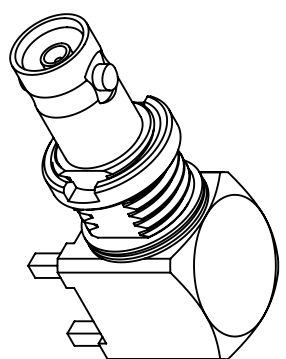
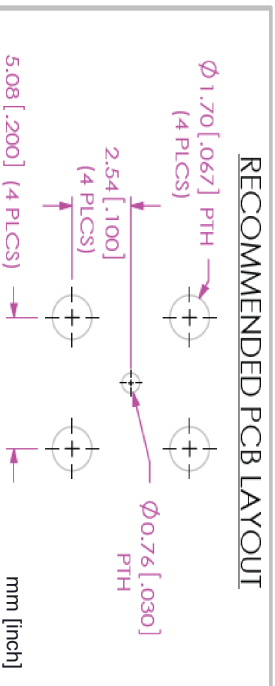
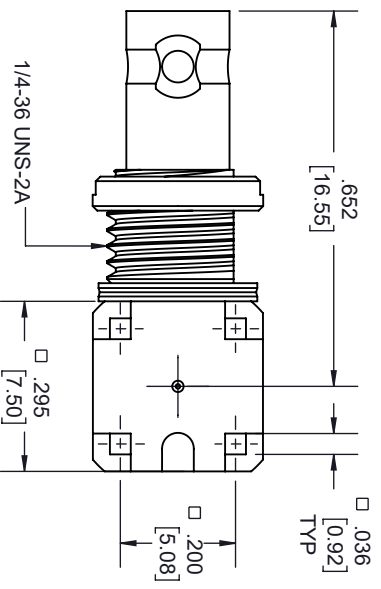
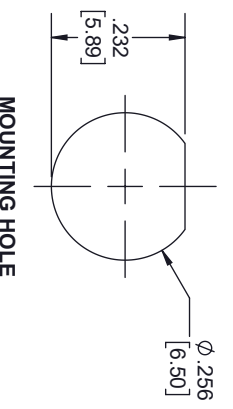
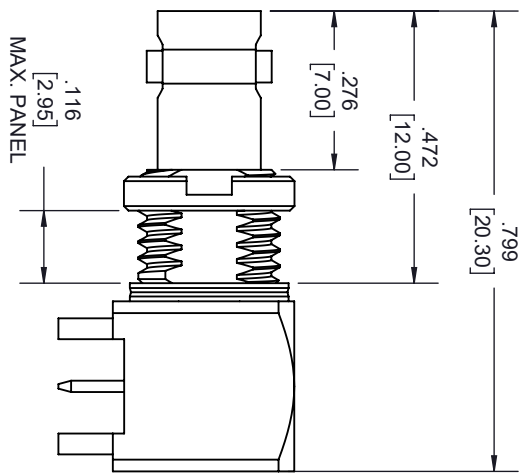
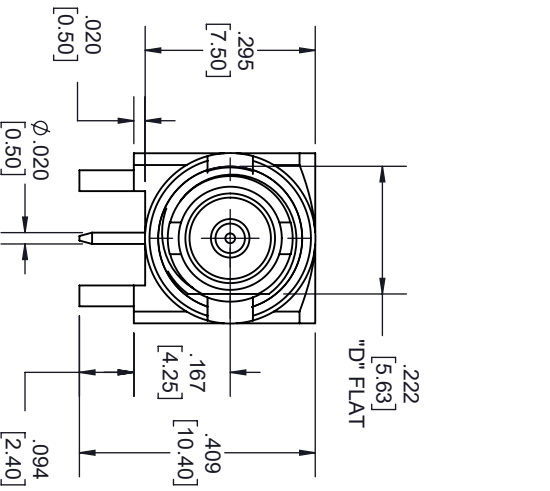


REVISIONS			
REV.	DESCRIPTION	DATE	APPROVED
A	INITIAL RELEASE	12/10/2021	A. GANWANI



THESE COMMODITIES, TECHNOLOGY OR SOFTWARE WERE EXPORTED FROM THE UNITED STATES IN ACCORDANCE WITH THE EXPORT ADMINISTRATION REGULATIONS, DIVERSION CONTRARY TO U.S. LAW PROHIBITED.



TITLE				
UNLESS OTHERWISE SPECIFIED LEADING DIMENSIONS ARE INCHES				
DIMENSIONS IN [ ] ARE MILLIMETERS				
TOLERANCES:				
FRACTIONS		CABLE LENGTH (L) TOLERANCES:		
X = ±.2	[5.08]	L ≤ 12 [305]	= +1 [25] / -0	
XX = ±.02	[.51]	12 [305] < L ≤ 60 [1524]	= +2 [51] / -0	
XXX = ±.005	[.13]	60 [1524] < L ≤ 120 [3048]	= +4 [102] / -0	
		120 [3048] < L ≤ 300 [7620]	= +6 [152] / -0	
		300 [7620] < L	= +5% / -0	
ALL DIMENSIONS SHOWN ARE FOR REFERENCE ONLY.				
SIZE	GAGE CODE	DRAWN BY	ITEM NO.	SCALE
A	3FKRS	K.DANG	PE40014	N/A
THE INFORMATION AND DESIGN IN THIS DOCUMENT IS THE PROPERTY OF FAIRVIEW MICROWAVE CORPORATION. ALL RIGHTS RESERVED.				THIRD-ANGLE PROJECTION
SHEET 1 OF 1				REV A