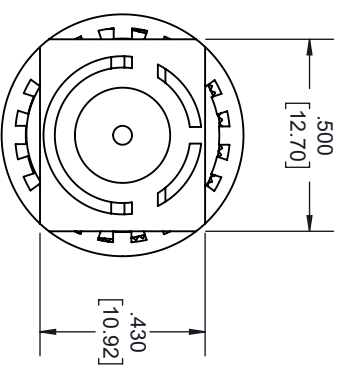
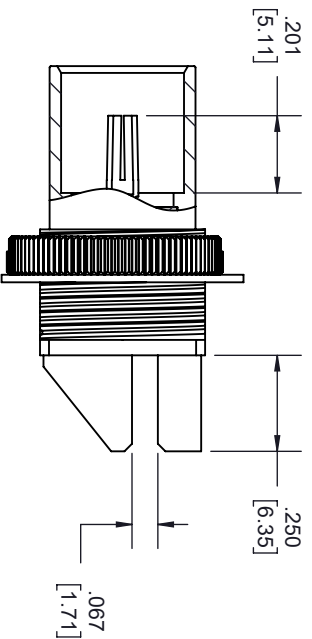
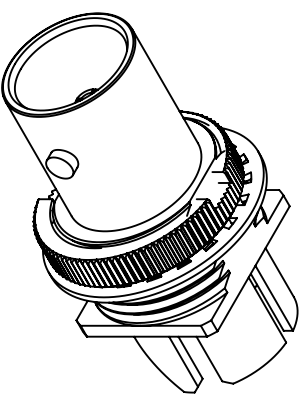
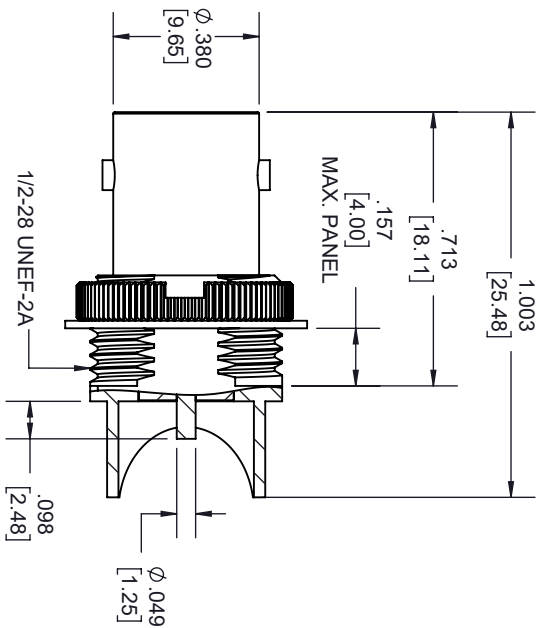
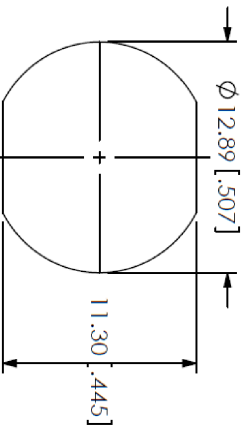


| REVISIONS |                 |            |            |
|-----------|-----------------|------------|------------|
| REV.      | DESCRIPTION     | DATE       | APPROVED   |
| A         | INITIAL RELEASE | 12/10/2021 | A. GANWANI |



**RECOMMENDED MOUNTING HOLE**

4.00[.157] MAX PANEL THICKNESS



MM [INCH]

THESE COMMODITIES, TECHNOLOGY OR SOFTWARE WERE EXPORTED FROM THE UNITED STATES IN ACCORDANCE WITH THE EXPORT ADMINISTRATION REGULATIONS, DIVERSION CONTRARY TO U.S. LAW PROHIBITED.



TITLE

UNLESS OTHERWISE SPECIFIED LEADING DIMENSIONS ARE INCHES  
DIMENSIONS IN [ ] ARE MILLIMETERS

TOLERANCES:

X = ±.2 [5.08]  
XX = ±.02 [51]  
XXX = ±.005 [13]

FRACTIONS  
± 1/32  
ANGLES ± 1°

CABLE LENGTH (L) TOLERANCES:

L ≤ 12 [305] = +1 [25] / -0  
12 [305] < L ≤ 60 [1524] = +2 [51] / -0  
60 [1524] < L ≤ 120 [3048] = +4 [102] / -0  
120 [3048] < L ≤ 300 [7620] = +6 [152] / -0  
300 [7620] < L = +5% / -0



THE INFORMATION AND DESIGN IN THIS DOCUMENT IS THE PROPERTY OF FAIRVIEW MICROWAVE CORPORATION. ALL RIGHTS RESERVED.

SHEET 1 OF 2  
SCALE N/A

|      |           |          |          |     |
|------|-----------|----------|----------|-----|
| SIZE | GAGE CODE | DRAWN BY | ITEM NO. | REV |
| A    | 3FKRS     | K.DANG   | FMCN0009 | A   |