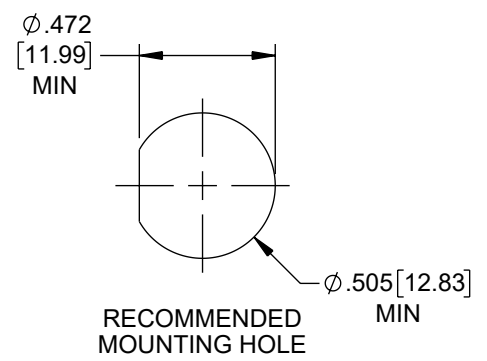
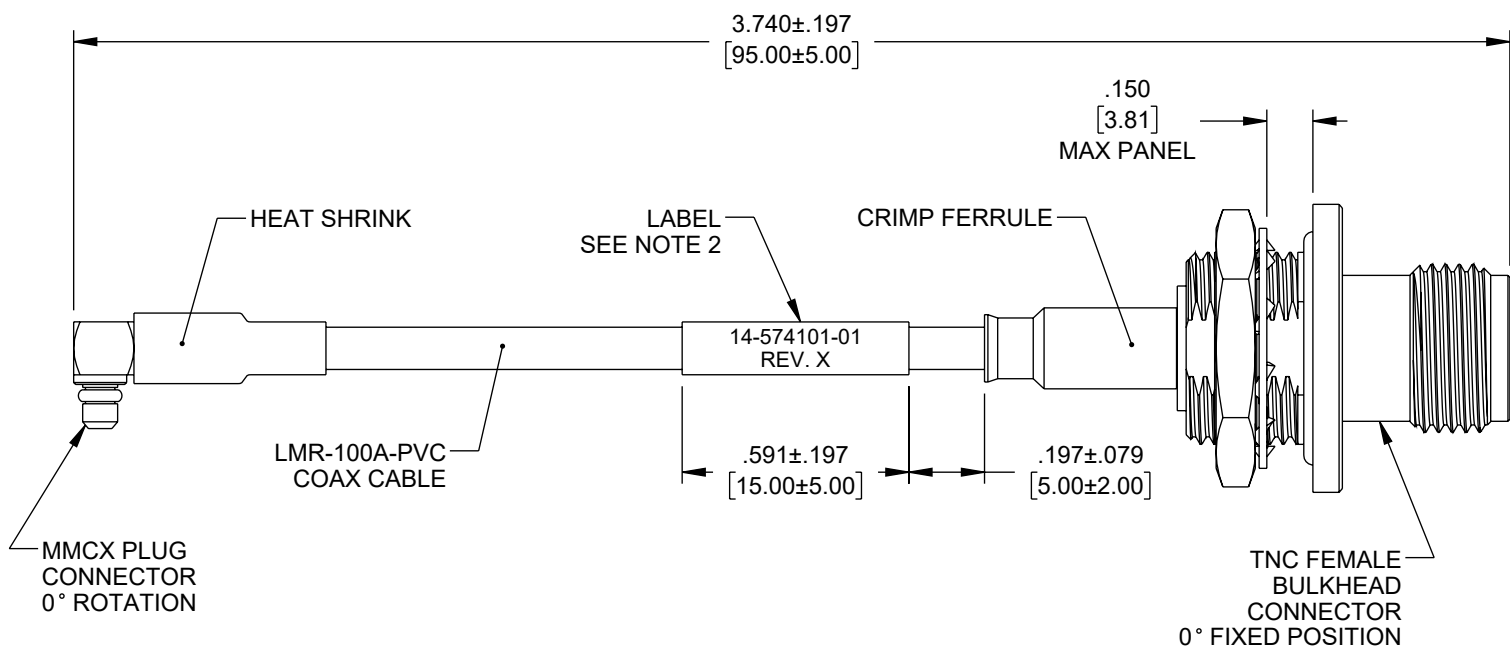


6 5 4 3 2 1

REVISION					
ZONE	REV	DESCRIPTION	DATE	CHANGED BY	APPROVED
	A	INITIAL RELEASE	4/28/2023	KDANG	AGANWANI



NOTES:

1. WORKMANSHIP TO BE EQUAL TO AND COMPLIANT WITH REQUIREMENTS OF IPC/WHMA-A-620.
2. MARK CABLE ASSEMBLY PART NUMBER AND REV. USING FLEXIBLE HEAT SHRINK TUBE #21-505006-01 OR #21-505006-02 OR #21-505007-01(3mm, SR=3, WHITE) WITH BLACK PRINTED ON IT.
3. CABLE ASSEMBLY SHALL BE MANUFACTURED TO MEET ALL ROHS COMPLIANT REQUIREMENTS AND BE ACCOMPANIED BY DECLARATION OF COMPLIANCE FOR EACH NEW BATCH.

THE INFORMATION CONTAINED IN THIS DRAWING IS THE SOLE PROPERTY OF INFINITE ELECTRONICS, INC. ANY REPRODUCTION IN PART OR WHOLE WITHOUT THE WRITTEN PERMISSION OF INFINITE ELECTRONICS, INC. IS PROHIBITED. THESE COMMODITIES, TECHNOLOGY OR SOFTWARE WERE EXPORTED FROM THE UNITED STATES IN ACCORDANCE WITH THE EXPORT ADMINISTRATION REGULATIONS. DIVERSION CONTRARY TO U.S. LAW PROHIBITED.

UNLESS OTHERWISE SPECIFIED LEADING DIMENSIONS ARE INCHES DIMENSIONS IN [] ARE MILLIMETERS TOLERANCES: .X = ±.2 [.5] FRACTIONS ± 1/32 .XX = ±.02 [.5] ANGLES ± 1° .XXX = ±.005 [.13] CABLE LENGTH TOLERANCES: ≤12 [305] = +1 [25] / -0 >12 [305] ≤ 60 [1524] = +2 [51] / -0 >60 [1524] ≤ 120 [3048] = +4 [102] / -0 >120 [3048] ≤ 300 [7620] = +6 [152] / -0 >300 [7620] = +5% / -0 ALL DIMENSIONS ARE FOR REFERENCE ONLY AND SUBJECT TO CHANGE WITHOUT NOTICE.		<p>Fairview Microwave an INFINIT® brand</p> <p>Website: www.FairviewMicrowave.com Phone: 1.800.715.4396 1.972.649.6678</p>		<p>INTERPRET ALL DIMENSIONS AND TOLERANCES PER ASME Y14.5</p> <table border="1"> <tr> <td>SCALE</td> <td>SHEET</td> </tr> <tr> <td>NONE</td> <td>1 OF 1</td> </tr> </table>		SCALE	SHEET	NONE	1 OF 1
SCALE	SHEET								
NONE	1 OF 1								
DESCRIPTION TNC Female to MMCX Plug using LMR-100A-PVC									
SIZE	CAGE CODE	DRAWN BY	ITEM NO.	REV					
A	3FKR5	KDANG	FMCA3270/SP	A					