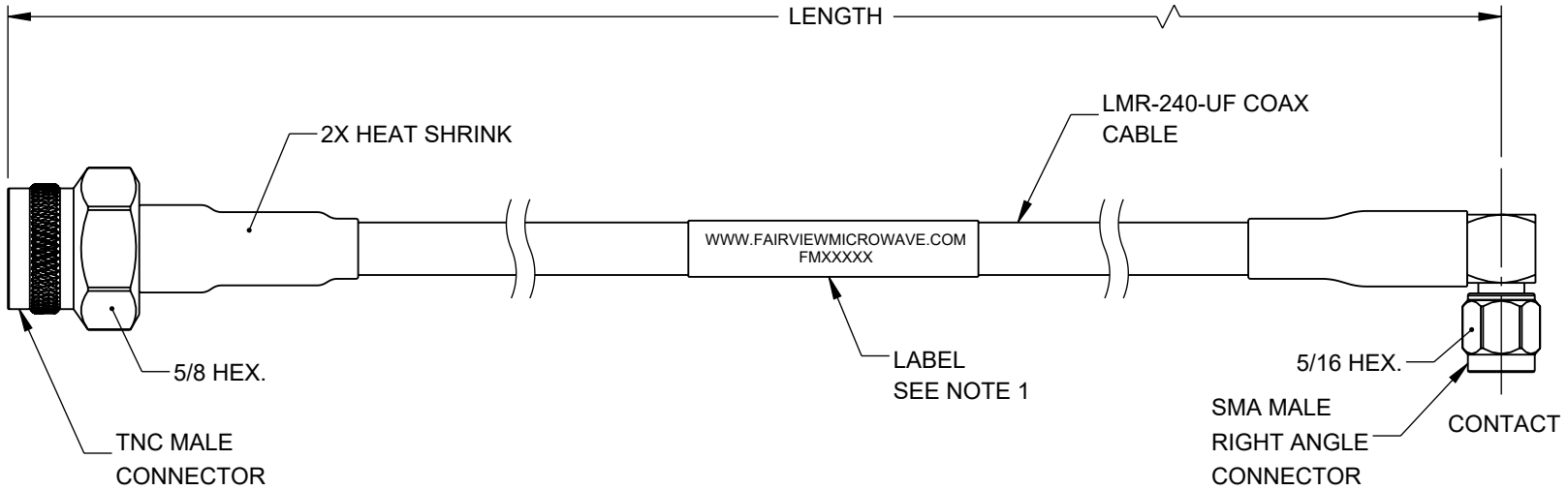


6 5 4 3 2 1

| REVISION |     |                 |            |            |          |
|----------|-----|-----------------|------------|------------|----------|
| ZONE     | REV | DESCRIPTION     | DATE       | CHANGED BY | APPROVED |
|          | A   | INITIAL RELEASE | 04/25/2023 | VTHANGARAJ | AGANWANI |

F  
E  
D  
C  
B  
A

F  
E  
D  
C  
B  
A



NOTES:

1. CABLE ASSY LENGTH LABEL PLACEMENT: 36 INCHES OR LESS, ONE LABEL APPROX CENTERED. LONGER THAN 36 INCHES, TWO LABELS APPROX 6 INCHES FROM EACH CONNECTOR.
2. CABLES ASSEMBLIES SHALL BE TESTED FOR CONTINUITY.

UNLESS OTHERWISE SPECIFIED LEADING DIMENSIONS ARE INCHES DIMENSIONS IN [ ] ARE MILLIMETERS

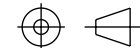
| TOLERANCES:          |                  |
|----------------------|------------------|
| .X = ±.2 [ 5 ]       | FRACTIONS ± 1/32 |
| .XX = ±.02 [ .5 ]    | ANGLES ± 1°      |
| .XXX = ±.005 [ .13 ] |                  |

| CABLE LENGTH TOLERANCES: |                 |
|--------------------------|-----------------|
| ≤12 [305]                | = +1 [25] / -0  |
| >12 [305] ≤ 60 [1524]    | = +2 [51] / -0  |
| >60 [1524] ≤ 120 [3048]  | = +4 [102] / -0 |
| >120 [3048] ≤ 300 [7620] | = +6 [152] / -0 |
| >300 [7620]              | = +5% / -0      |

ALL DIMENSIONS ARE FOR REFERENCE ONLY AND SUBJECT TO CHANGE WITHOUT NOTICE.



Website: [www.FairviewMicrowave.com](http://www.FairviewMicrowave.com)  
Phone: 1.800.715.4396 | 1.972.649.6678



INTERPRET ALL DIMENSIONS AND TOLERANCES PER ASME Y14.5

|       |        |
|-------|--------|
| SCALE | SHEET  |
| NONE  | 1 OF 1 |

DESCRIPTION  
TNC Male to SMA Male Right Angle Low Loss Cable Using LMR-240-UF Coax With Times Microwave Components with HeatShrink

|      |           |            |          |     |
|------|-----------|------------|----------|-----|
| SIZE | CAGE CODE | DRAWN BY   | ITEM NO. | REV |
| A    | 3FKR5     | VTHANGARAJ | FMCA3192 | A   |

THE INFORMATION CONTAINED IN THIS DRAWING IS THE SOLE PROPERTY OF INFINITE ELECTRONICS, INC. ANY REPRODUCTION IN PART OR WHOLE WITHOUT THE WRITTEN PERMISSION OF INFINITE ELECTRONICS, INC. IS PROHIBITED. THESE COMMODITIES, TECHNOLOGY OR SOFTWARE WERE EXPORTED FROM THE UNITED STATES IN ACCORDANCE WITH THE EXPORT ADMINISTRATION REGULATIONS. DIVERSION CONTRARY TO U.S. LAW PROHIBITED.

6 5 4 3 2 1