

6

5

4

3

2

1

| REVISION |     |                       |            |            |          |
|----------|-----|-----------------------|------------|------------|----------|
| ZONE     | REV | DESCRIPTION           | DATE       | CHANGED BY | APPROVED |
|          | B   | UPDATED PER ECO-13622 | 06/10/2024 | HBAKKE     | SRAUTUS  |

F

F

E

E

D

D

C

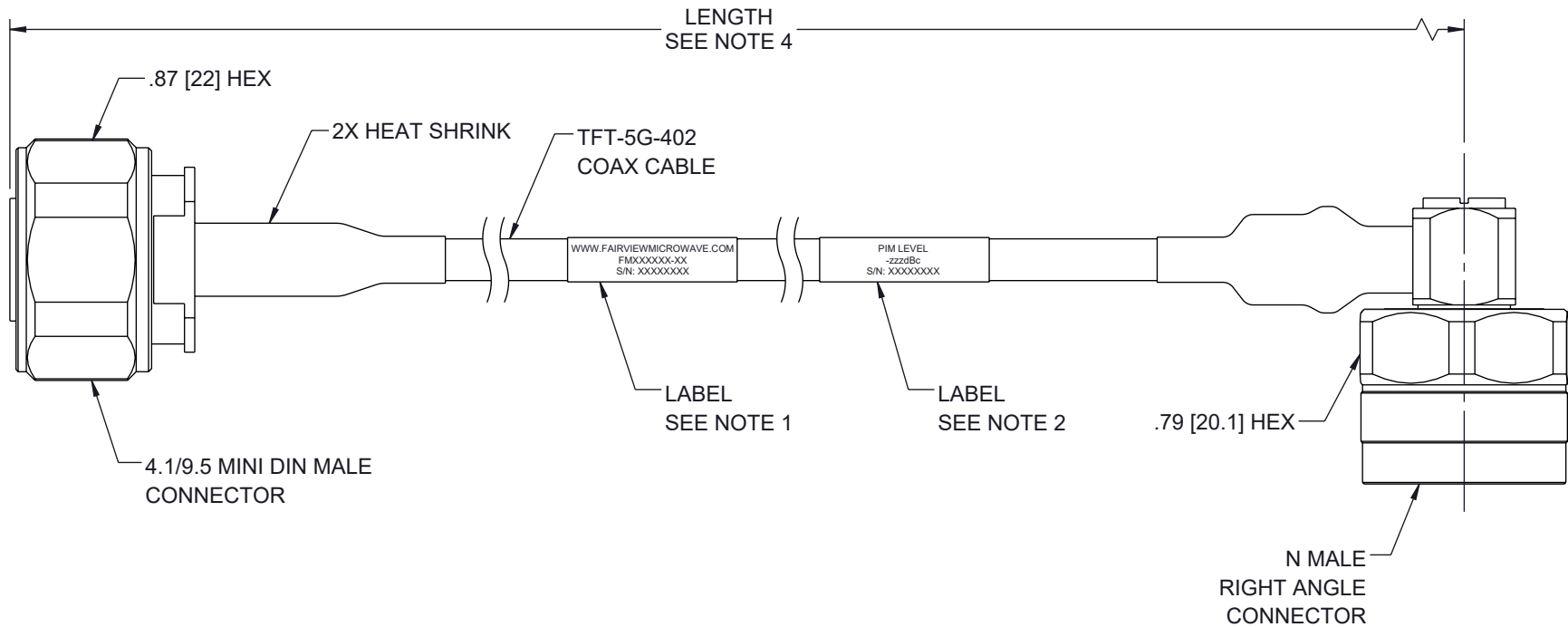
C

B

B

A

A



NOTES:

1. CABLE ASSEMBLY LENGTH LABEL PLACEMENT: CABLES 84 INCHES OR LESS, ONE LABEL APPROXIMATELY CENTERED. LONGER THAN 84 INCHES, TWO LABELS APPROXIMATELY 12 INCHES FROM EACH CONNECTOR.
2. PIM LEVEL LABEL PLACEMENT: APPROXIMATELY 6 INCHES FROM CABLE END, 1 PLACE, FOR ALL LENGTHS OF CABLE.
3. CABLE ASSEMBLIES SHALL BE TESTED FOR CONTINUITY.
4. CABLE ASSEMBLY LENGTH DETERMINED BY ITEM PN AND DESCRIPTION.

THE INFORMATION CONTAINED IN THIS DRAWING IS THE SOLE PROPERTY OF INFINITE ELECTRONICS, INC. ANY REPRODUCTION IN PART OR WHOLE WITHOUT THE WRITTEN PERMISSION OF INFINITE ELECTRONICS, INC. IS PROHIBITED. THESE COMMODITIES, TECHNOLOGY OR SOFTWARE WERE EXPORTED FROM THE UNITED STATES IN ACCORDANCE WITH THE EXPORT ADMINISTRATION REGULATIONS. DIVERSION CONTRARY TO U.S. LAW PROHIBITED.

|   |                  |
|---|------------------|
| UNLESS OTHERWISE SPECIFIED LEADING DIMENSIONS ARE INCHES DIMENSIONS IN [ ] ARE MILLIMETERS  |                  |
| TOLERANCES:   |                  |
| X = ±.2 [5]   | FRACTIONS ± 1/32 |
| XX = ±.02 [0.5]   | ANGLES ± 1°      |
| .XXX = ±.005 [0.13]   |                  |
| CABLE LENGTH TOLERANCES:  |                  |
| ≤12 [305]   | = +1 [25] / -0   |
| >12 [305] ≤ 60 [1524]   | = +2 [51] / -0   |
| >60 [1524] ≤ 120 [3048]   | = +4 [102] / -0  |
| >120 [3048] ≤ 300 [7620]  | = +6 [152] / -0  |
| >300 [7620]   | = +5% / -0       |
| ALL DIMENSIONS ARE FOR REFERENCE ONLY AND SUBJECT TO CHANGE WITHOUT NOTICE UN-DIMENSIONED/NON-CRITICAL FEATURES MAY VARY IN SIZE AND LOCATION COLORS MAY VARY |                  |

|   |   |                  |
|---|---|------------------|
| <p><b>Fairview Microwave®</b><br/>an INFINIT® brand</p> <p>Website: <a href="http://www.FairviewMicrowave.com">www.FairviewMicrowave.com</a><br/>Phone: 1.800.715.4396   1.972.649.6678</p> | <p>INTERPRET ALL DIMENSIONS AND TOLERANCES PER ASME Y14.5</p> |                  |
|   | SCALE<br>NONE   | SHEET<br>1 OF 1  |
| DESCRIPTION<br><b>LOW PIM 4.1/9.5 MINI DIN MALE TO RA N MALE CABLE TFT-5G-402 COAX USING TIMES MICROWAVE COMPONENTS</b>   |   |                  |
| SIZE<br>A   | CAGE CODE<br>3FKR5  | DRAWN BY<br>DMAY |
| ITEM NO.<br>FMCA2479  | REV<br>B  |                  |

6

5

4

3

2

1