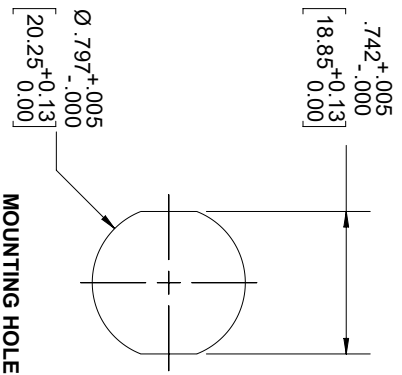
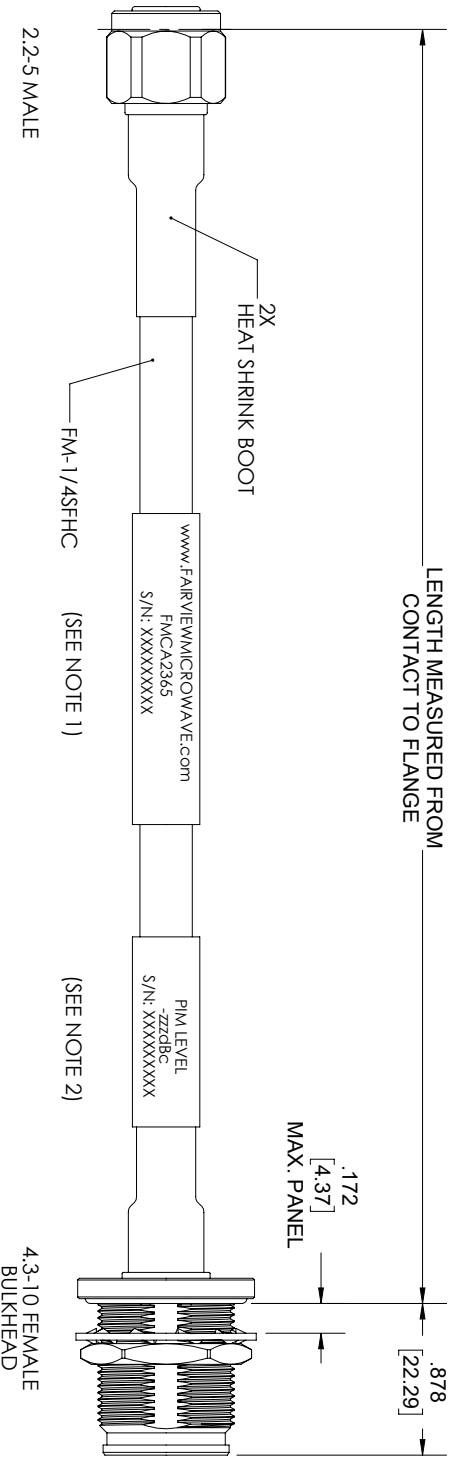


REVISIONS			
REV.	DESCRIPTION	DATE	APPROVED
A	INITIAL RELEASE	10/03/2021	SELLIS



- NOTES:
1. CABLES 84" AND UNDER HAVE 1 LABEL CENTERED. CABLES OVER 84" HAVE 2 LABELS, ONE AT EACH END 12.0" FROM THE END OF THE CONNECTOR.
 2. 6" FROM CABLE END 1 PLACE FOR ALL LENGTHS OF CABLE.

THESE COMMODITIES, TECHNOLOGY OR SOFTWARE WERE EXPORTED FROM THE UNITED STATES IN ACCORDANCE WITH THE EXPORT ADMINISTRATION REGULATIONS, DIVERSION CONTRARY TO U.S. LAW PROHIBITED.



TITLE		UNLESS OTHERWISE SPECIFIED LEADING DIMENSIONS ARE INCHES DIMENSIONS IN [] ARE MILLIMETERS		THIRD-ANGLE PROJECTION	
SIZE		TOLERANCES:		THE INFORMATION AND DESIGN IN THIS DOCUMENT IS THE PROPERTY OF FAIRVIEW MICROWAVE CORPORATION. ALL RIGHTS RESERVED.	
A	GAGE CODE	CABLE LENGTH (L) TOLERANCES:		SHEET 1 OF 1	
3FKRS	DRAWN BY	L ± 1/2 (805) = +1/2 (51) / -0		SCALE	
MVEERAPPAN	ITEM NO.	L ≤ 120 (1524) < L ≤ 60 (1524) = +2 (51) / -0		N/A	
	FMCA2365	60 (1524) < L ≤ 120 (3048) = +4 (102) / -0		REV	
		120 (3048) < L ≤ 300 (7620) = +6 (152) / -0		A	
		300 (7620) < L = +5%L / -0			
ALL DIMENSIONS SHOWN ARE FOR REFERENCE ONLY.					