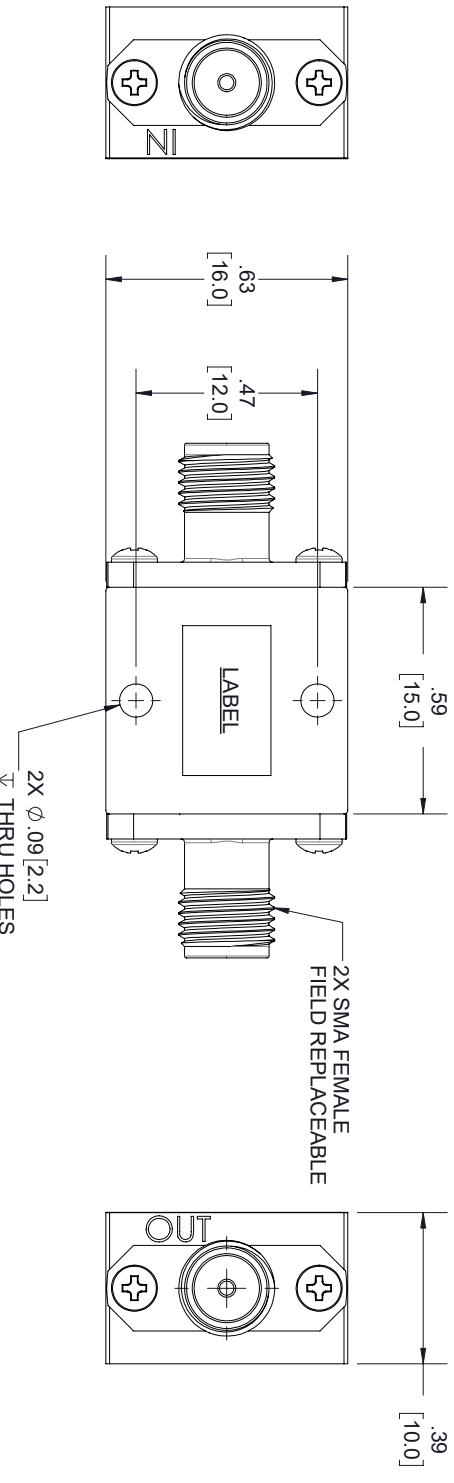
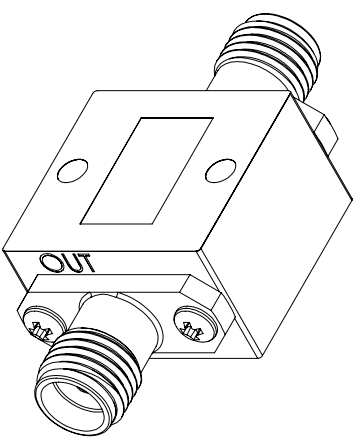


REVISIONS			
REV.	DESCRIPTION	DATE	APPROVED
A	INITIAL RELEASE	23-01-2020	TGALLA



LABEL:  
 FAIRVIEW MICROWAVE  
 FMAT9017  
 D/C: YYYY



THESE COMMODITIES, TECHNOLOGY OR SOFTWARE WERE EXPORTED FROM THE UNITED STATES IN ACCORDANCE WITH THE EXPORT ADMINISTRATION REGULATIONS, DIVERSION CONTRARY TO U.S. LAW PROHIBITED.



UNLESS OTHERWISE SPECIFIED LEADING DIMENSIONS ARE INCHES				THIRD-ANGLE PROJECTION	
DIMENSIONS IN [ ] ARE MILLIMETERS					
TOLERANCES:				CABLE LENGTH (L) TOLERANCES:	
X = ±.2	[5.08]	FRACTIONS	L ≤ 12 [305]	= +1 [25] / -0	THE INFORMATION AND DESIGN IN THIS DOCUMENT IS THE PROPERTY OF FAIRVIEW MICROWAVE CORPORATION. ALL RIGHTS RESERVED.
XX = ±.02	[.51]		12 [305] < L ≤ 60 [1524]	= +2 [51] / -0	
XXX = ±.005	[.13]	ANGLES ± 1°	60 [1524] < L ≤ 120 [3048]	= +4 [102] / -0	
			120 [3048] < L ≤ 300 [7620]	= +6 [152] / -0	
ALL DIMENSIONS SHOWN ARE FOR REFERENCE ONLY.				SCALE	N/A
SIZE	GAGE CODE	DRAWN BY	ITEM NO.	REV	
A	3FKRS	MVEERAPPAN	FMAT9017	A	