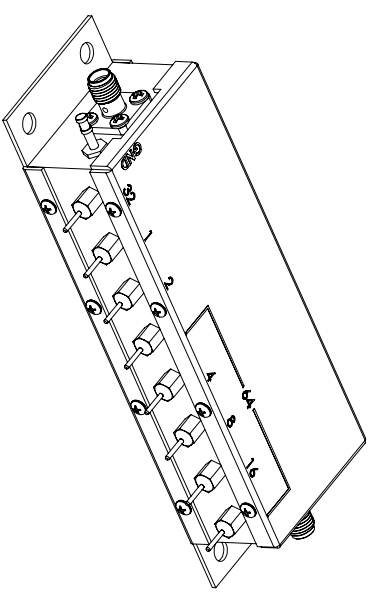


STANDARD TOLERANCES
 .X \pm 0.2
 .XX \pm 0.01
 .XXX \pm 0.005

*STANDARD TOLERANCES APPLY
 ONLY TO DIMENSIONS IN INCHES



FAIRVIEW MICROWAVE INC.

ALLEN, TX 75013 WWW.FAIRVIEWMICROWAVE.COM

NOTES:
 1. UNLESS OTHERWISE SPECIFIED ALL DIMENSIONS ARE NOMINAL.
 2. ALL SPECIFICATIONS ARE SUBJECT TO CHANGE WITHOUT NOTICE AT ANY TIME.
 3. DIMENSIONS ARE IN INCHES [mm].

TITLE

DWG NO
FMAT8005

CAGE CODE
3FKR5

CAD FILE 062717

SHEET 1 OF 1

SCALE N/A

SIZE A

9999