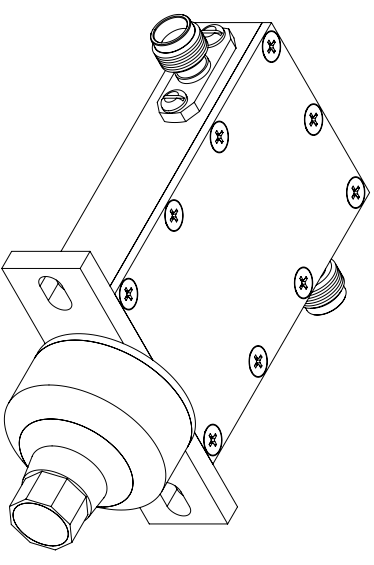
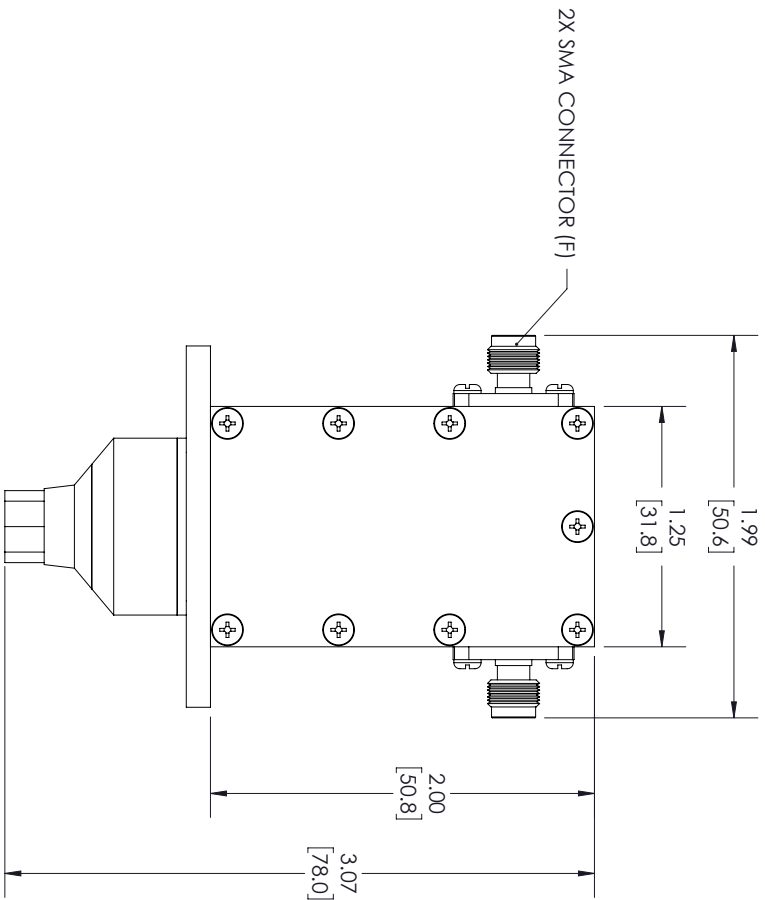
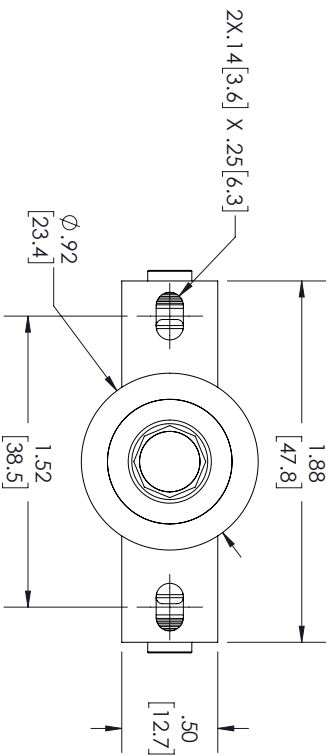


| REVISIONS | | | |
|-----------|-----------------|------------|----------|
| REV. | DESCRIPTION | DATE | APPROVED |
| A | INITIAL RELEASE | 07/25/2022 | SPONG |



THESE COMMODITIES, TECHNOLOGY OR SOFTWARE WERE EXPORTED FROM THE UNITED STATES IN ACCORDANCE WITH THE EXPORT ADMINISTRATION REGULATIONS, DIVERSION CONTRARY TO U.S. LAW PROHIBITED.



TITLE

| | | | | | | | |
|---|-----------|------------------------------------|--------------|--|--|-------|--|
| UNLESS OTHERWISE SPECIFIED LEADING DIMENSIONS ARE INCHES DIMENSIONS IN [] ARE MILLIMETERS | | | | THIRD-ANGLE PROJECTION | | | |
| TOLERANCES: | | | | | | | |
| CABLE LENGTH (L) TOLERANCES: | | | | THE INFORMATION AND DESIGN IN THIS DOCUMENT IS THE PROPERTY OF FAIRVIEW MICROWAVE CORPORATION. ALL RIGHTS RESERVED. | | | |
| $X = \pm .2$ [5.08] FRACTIONS $XX = \pm .02$ [.51] $XXX = \pm .005$ [.13] | | $\pm 1/32$ ANGLES $\pm 1^\circ$ | | $L \pm 1/2$ [806] = $\pm 1/25$ / -0 12 [305] < $L \leq 60$ [1524] = ± 2 [51] / -0 60 [1524] < $L \leq 120$ [3048] = ± 4 [102] / -0 120 [3048] < $L \leq 300$ [7620] = ± 6 [152] / -0 300 [7620] < $L = \pm 5\%$ / -0 | | SCALE | |
| ALL DIMENSIONS SHOWN ARE FOR REFERENCE ONLY. | | | | 1 | | | |
| SIZE | GAGE CODE | DRAWN BY | ITEM NO. | REV | | | |
| A | 3FKRS | VTHANGARAJ | FMATT7434-40 | A | | | |