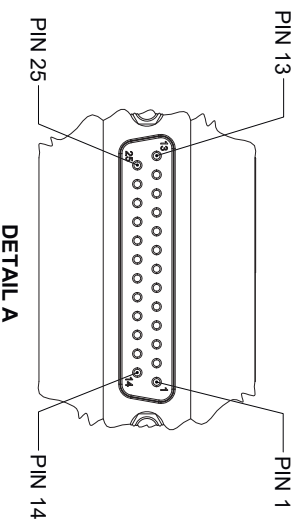
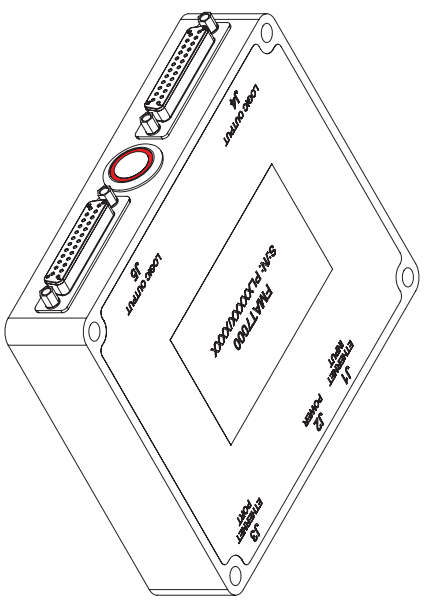
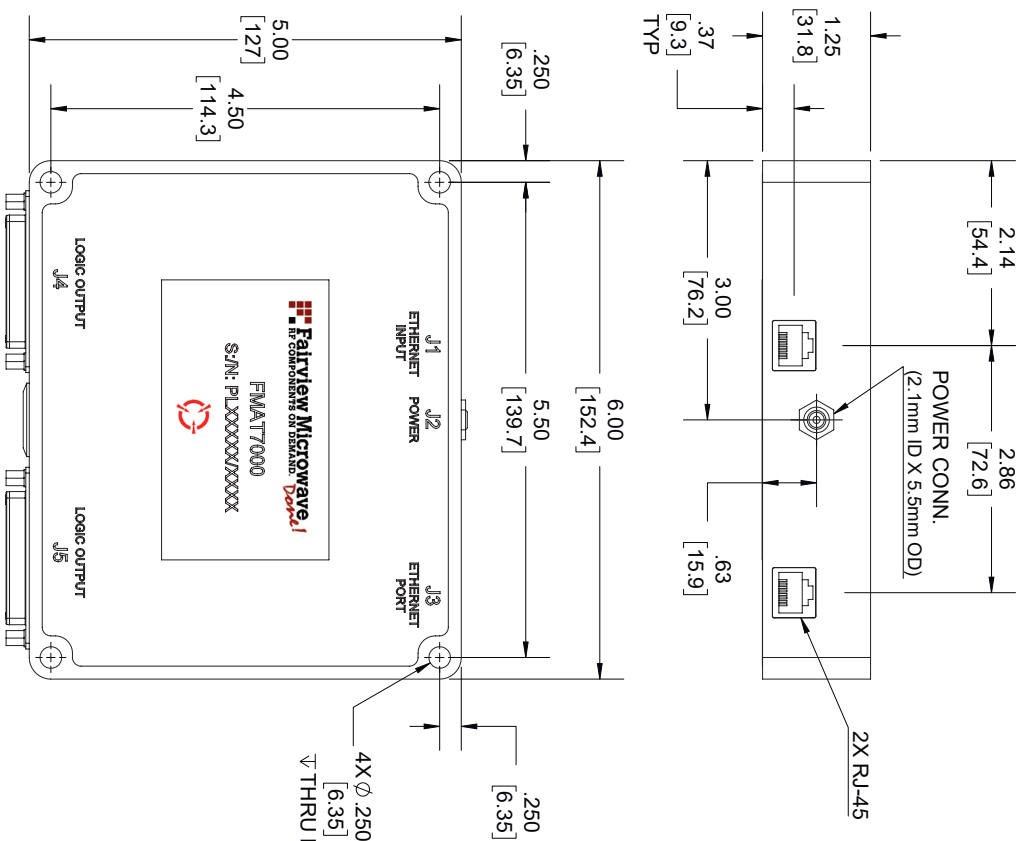
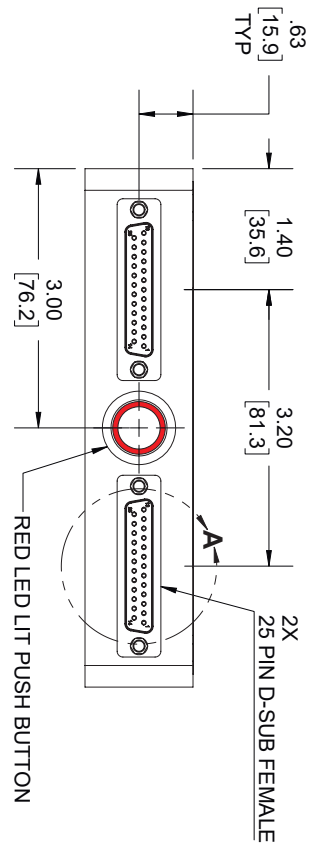


REVISIONS			
REV.	DESCRIPTION	DATE	APPROVED
B	UPDATE COMPONENT VIEWS	11/22/21	T.GALLA



LOGIC TABLE FOR J4 & J5 CONN.			
25 PIN D-SUB	BIT	25 PIN D-SUB	BIT
1	1	14	14
2	2	15	15
3	3	16	16
4	4	17	17
5	5	18	18
6	6	19	GND
7	7	20	N/C
8	8	21	N/C
9	9	22	N/C
10	10	23	N/C
11	11	24	N/C
12	12	25	N/C
13	13		



THESE COMMODITIES, TECHNOLOGY OR SOFTWARE WERE EXPORTED FROM THE UNITED STATES IN ACCORDANCE WITH THE EXPORT ADMINISTRATION REGULATIONS, DIVERSION CONTRARY TO U.S. LAW PROHIBITED.



UNLESS OTHERWISE SPECIFIED LEADING DIMENSIONS ARE INCHES
DIMENSIONS IN [] ARE MILLIMETERS

TOLERANCES:

CABLE LENGTH (L) TOLERANCES:

ALL DIMENSIONS SHOWN ARE FOR REFERENCE ONLY.

SCALE N/A

THE INFORMATION AND DESIGN IN THIS DOCUMENT IS THE PROPERTY OF FAIRVIEW MICROWAVE CORPORATION. ALL RIGHTS RESERVED.

SIZE	GAGE CODE	DRAWN BY	ITEM NO.	REV
A	3FKRS	K.DANG	FMA17000	B