

6

5

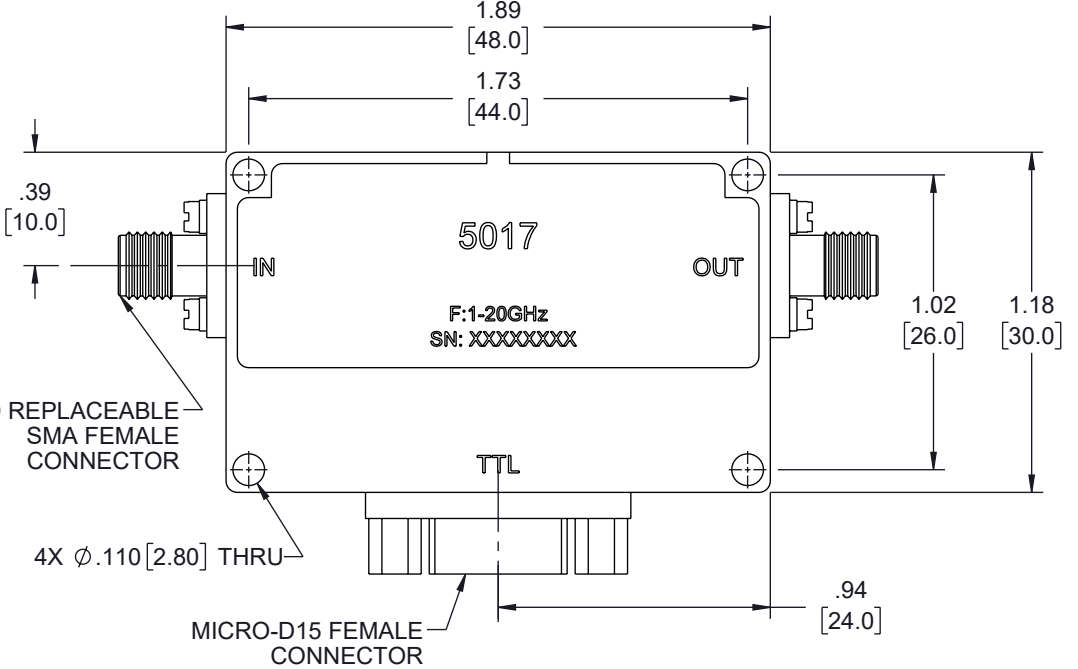
4

3

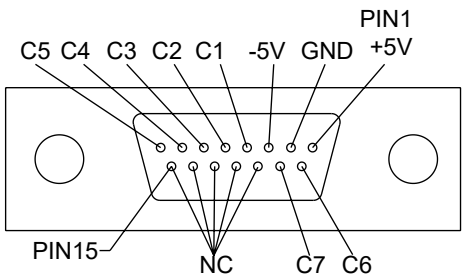
2

1

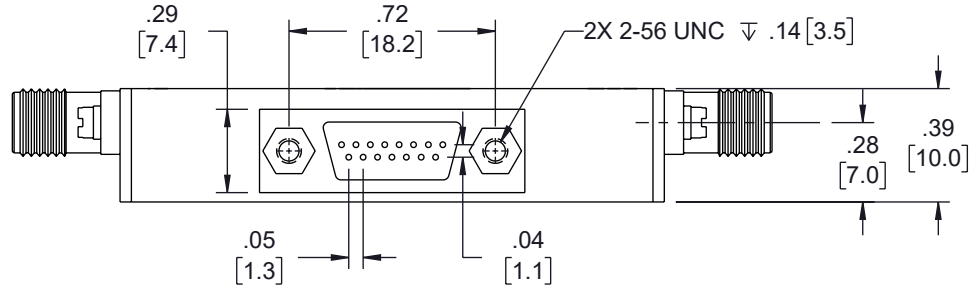
REVISION					
ZONE	REV.	DESCRIPTION	DATE	CHANGED BY	APPROVED BY
	A	INITIAL RELEASE	02/02/2023	HBAKKE	TGALLA



TRUTH TABLE							
TTL CONTROL VOLTAGE THRESHOLD							LOW (0)=0~0.8V
							HIGH (1)=2~5V
CONTROL VOLTAGE INPUT							ATTENUATION STATE
C7	C6	C5	C4	C3	C2	C1	REFERENCE IL
1	1	1	1	1	1	1	0.5dB
1	1	1	1	1	1	0	1dB
1	1	1	1	1	0	1	2dB
1	1	1	1	0	1	1	4dB
1	1	1	0	1	1	1	8dB
1	1	0	1	1	1	1	16dB
1	0	1	1	1	1	1	32dB
0	1	1	1	1	1	1	63.5dB
0	0	0	0	0	0	0	



MICRO-D15(Female)



UNLESS OTHERWISE SPECIFIED LEADING DIMENSIONS ARE INCHES DIMENSIONS IN [ ] ARE MILLIMETERS

TOLERANCES:  
.X = ±.2 [5]      FRACTIONS  
.XX = ±.02 [.5]    ± 1/32  
.XXX = ±.005 [.13]    ANGLES ± 1°

CABLE LENGTH TOLERANCES:  
>12 [305] = +1 [25] / -0  
>12 [305] ≤ 60 [1524] = +2 [51] / -0  
>60 [1524] ≤ 120 [3048] = +4 [102] / -0  
>120 [3048] ≤ 300 [7620] = +6 [152] / -0  
>300 [7620] = +5% / -0

ALL DIMENSIONS ARE FOR REFERENCE ONLY AND SUBJECT TO CHANGE WITHOUT NOTICE.



Website: [www.FairviewMicrowave.com](http://www.FairviewMicrowave.com)  
Phone: 1.800.715.4396 | 1.972.649.6678

INTERPRET ALL DIMENSIONS AND TOLERANCES PER ASME Y14.5	
SCALE	SHEET
NONE	1 OF 1

DESCRIPTION  
**7 Bit TTL Controlled Programmable Attenuator, 63.5 dB, 1 GHz to 20 GHz, 7 Bits, 0.5 dB Step Size, SMA**

SIZE	CAGE CODE	DRAWN BY	ITEM NO.	REV
A	3FKR5	HBAKKE	FMAT5017	A

THE INFORMATION CONTAINED IN THIS DRAWING IS THE SOLE PROPERTY OF INFINITE ELECTRONICS, INC. ANY REPRODUCTION IN PART OR WHOLE WITHOUT THE WRITTEN PERMISSION OF INFINITE ELECTRONICS, INC. IS PROHIBITED. THESE COMMODITIES, TECHNOLOGY OR SOFTWARE WERE EXPORTED FROM THE UNITED STATES IN ACCORDANCE WITH THE EXPORT ADMINISTRATION REGULATIONS. DIVERSION CONTRARY TO U.S. LAW PROHIBITED.

6

5

4

3

2

1