

6

5

4

3

2

1

REVISION

ZONE	REV	DESCRIPTION	DATE	CHANGED BY	APPROVED
	A	INITIAL RELEASE	04/04/2023	DMAY	KHIETPAS

F

F

E

E

D

D

C

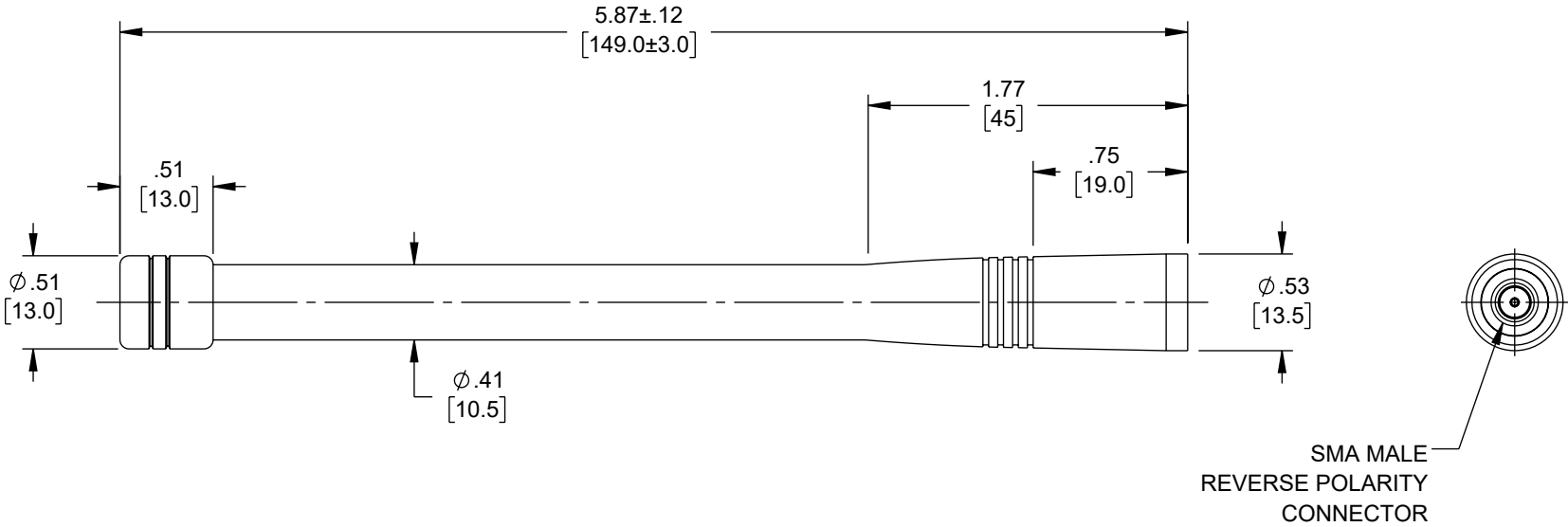
C

B

B

A

A



UNLESS OTHERWISE SPECIFIED
LEADING DIMENSIONS ARE INCHES
DIMENSIONS IN [] ARE MILLIMETERS

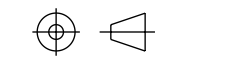
TOLERANCES:
.X = $\pm .2$ [5] FRACTIONS $\pm 1/32$
.XX = $\pm .02$ [.5] ANGLE $\pm 1^\circ$
.XXX = $\pm .005$ [.13]

CABLE LENGTH TOLERANCES:
 ≤ 12 [305] = ± 1 [25] / -0
 > 12 [305] ≤ 60 [1524] = ± 2 [51] / -0
 > 60 [1524] ≤ 120 [3048] = ± 4 [102] / -0
 > 120 [3048] ≤ 300 [7620] = ± 6 [152] / -0
 > 300 [7620] = $\pm 5\%$ / -0

ALL DIMENSIONS ARE FOR REFERENCE ONLY
AND SUBJECT TO CHANGE WITHOUT NOTICE.



Website: www.FairviewMicrowave.com
Phone: 1.800.715.4396 | 1.972.649.6678



INTERPRET ALL DIMENSIONS AND TOLERANCES PER ASME Y14.5

SCALE NONE SHEET 1 OF 1

DESCRIPTION
2.4GHz 2.8dBi STRAIGHT ANTENNA RP-SMA

SIZE A	CAGE CODE 3FKR5	DRAWN BY DMAY	ITEM NO. FMANRBD1047	REV A
-----------	--------------------	------------------	-------------------------	----------

THE INFORMATION CONTAINED IN THIS DRAWING IS THE SOLE PROPERTY OF INFINITE ELECTRONICS, INC. ANY REPRODUCTION IN PART OR WHOLE WITHOUT THE WRITTEN PERMISSION OF INFINITE ELECTRONICS, INC. IS PROHIBITED. THESE COMMODITIES, TECHNOLOGY OR SOFTWARE WERE EXPORTED FROM THE UNITED STATES IN ACCORDANCE WITH THE EXPORT ADMINISTRATION REGULATIONS. DIVERSION CONTRARY TO U.S. LAW PROHIBITED.

6

5

4

3

2

1