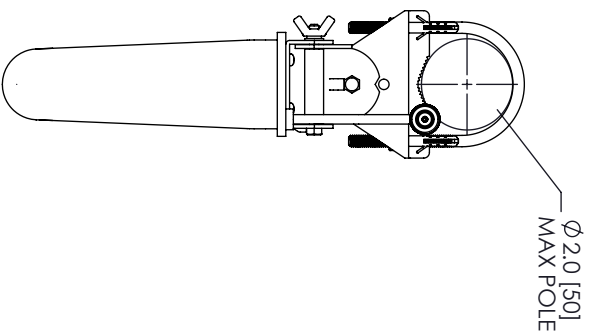
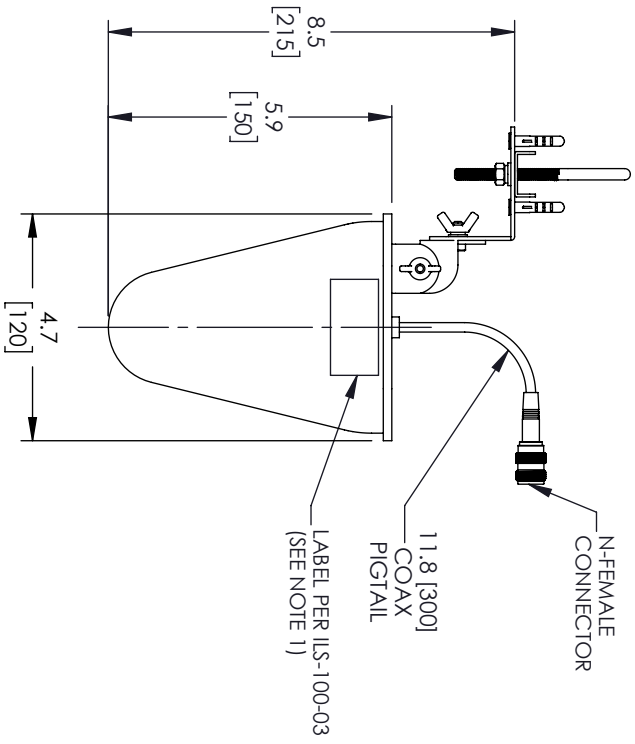
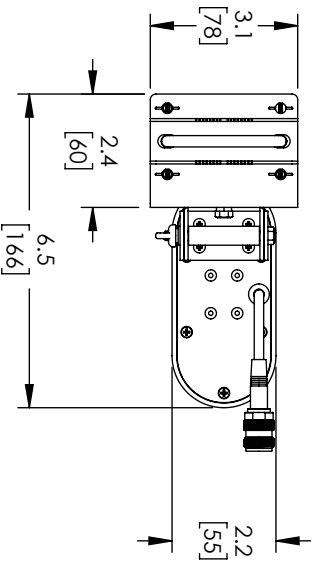
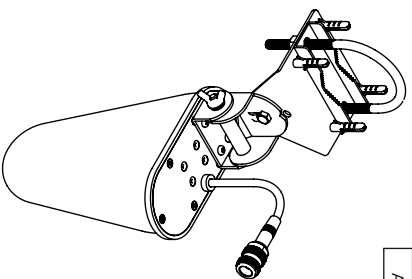


REVISIONS			
REV.	DESCRIPTION	DATE	APPROVED
A	INITIAL RELEASE	03/21/2022	KHIETPAS



NOTES:
 1. LABEL PER ILS-100-03 (FOR INTERNAL REFERENCE ONLY)
 LABEL LOCATION FOR REFERENCE ONLY

THESE COMMODITIES, TECHNOLOGY OR SOFTWARE WERE EXPORTED FROM THE UNITED STATES IN ACCORDANCE WITH THE EXPORT ADMINISTRATION REGULATIONS, DIVERSION CONTRARY TO U.S. LAW PROHIBITED.



UNLESS OTHERWISE SPECIFIED LEADING DIMENSIONS ARE INCHES					THIRD-ANGLE PROJECTION				
DIMENSIONS IN [] ARE MILLIMETERS					 THE INFORMATION AND DESIGN IN THIS DOCUMENT IS THE PROPERTY OF FAIRVIEW MICROWAVE CORPORATION. ALL RIGHTS RESERVED.				
TOLERANCES:					CABLE LENGTH (L) TOLERANCES:				
X = ±.2	[.08]	FRACTIONS	12 [305]	< L ≤ 60	[1524]	= +.2	[51]	/ -0	
XX = ±.02	[.51]	± 1/32	60 [1524]	< L ≤ 120	[3048]	= +.4	[102]	/ -0	
XXX = ±.005	[.13]	ANGLES ± 1°	120 [3048]	< L ≤ 300	[7620]	= +.6	[152]	/ -0	
			300 [7620]	< L = +5%	/ -0				
ALL DIMENSIONS SHOWN ARE FOR REFERENCE ONLY.					SCALE				
SIZE	GAGE CODE	DRAWN BY	ITEM NO.	REV	N/A				
A	3FKRS	K.GLEBOVA	FMANLP1009	A					