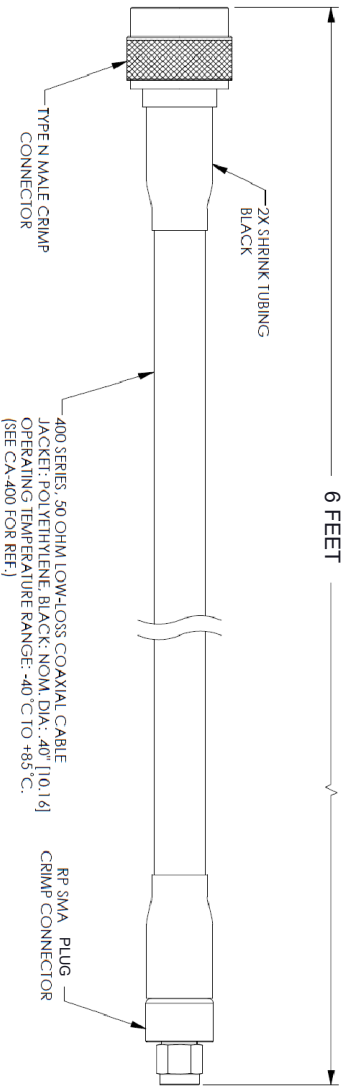
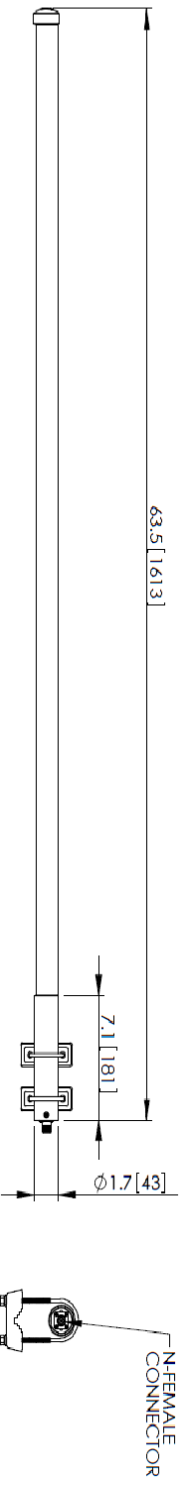
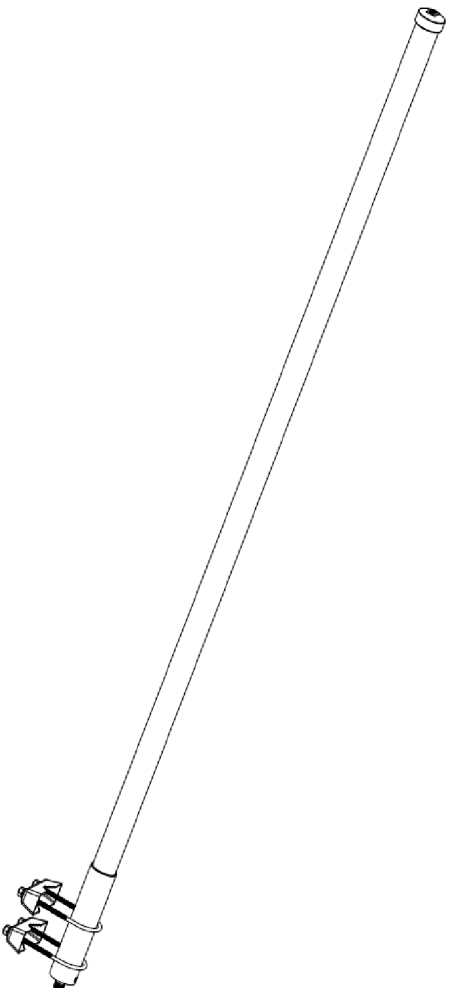


REVISIONS			
REV.	DESCRIPTION	DATE	APPROVED
A	INITIAL RELEASE	6/27/2022	K. HIETPAS



THESE COMMODITIES, TECHNOLOGY OR SOFTWARE WERE EXPORTED FROM THE UNITED STATES IN ACCORDANCE WITH THE EXPORT ADMINISTRATION REGULATIONS, DIVERSION CONTRARY TO U.S. LAW PROHIBITED.



TITLE

UNLESS OTHERWISE SPECIFIED LEADING DIMENSIONS ARE INCHES				THIRD-ANGLE PROJECTION	
DIMENSIONS IN [] ARE MILLIMETERS					
TOLERANCES:				CABLE LENGTH (L) TOLERANCES:	
X = ±.2	[.008]	FRACTIONS	±.125/-.0	L ≤ 12 [305] = +.125/-.0	
XX = ±.02	[.51]	± 1/32	±.005/-.0	12 [305] < L ≤ 60 [1524] = +.2 [51] /-.0	
XXX = ±.005	[.13]	ANGLES ± 1°	±.002/-.0	60 [1524] < L ≤ 120 [3048] = +.4 [102] /-.0	
			±.001/-.0	120 [3048] < L ≤ 300 [7620] = +.6 [152] /-.0	
				300 [7620] < L = +5%/-.0	
SIZE	GAGE CODE	DRAWN BY	ITEM NO.	SCALE	REV
A	3FKRS	K.DANG	FMANKIT1036	N/A	A