

6

5

4

3

2

1

F

E

D

C

B

A

F

E

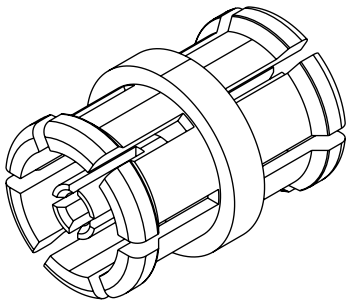
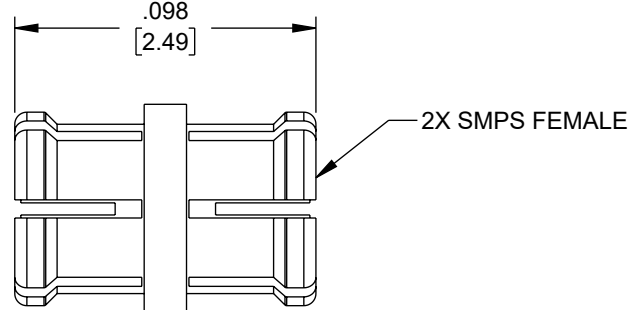
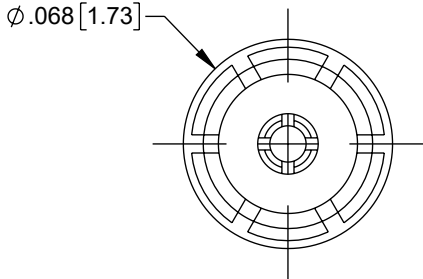
D

C

B

A

| REVISION |     |                 |           |            |          |
|----------|-----|-----------------|-----------|------------|----------|
| ZONE     | REV | DESCRIPTION     | DATE      | CHANGED BY | APPROVED |
|          | A   | INITIAL RELEASE | 5/23/2023 | KDANG      | AGANWANI |



THE INFORMATION CONTAINED IN THIS DRAWING IS THE SOLE PROPERTY OF INFINITE ELECTRONICS, INC. ANY REPRODUCTION IN PART OR WHOLE WITHOUT THE WRITTEN PERMISSION OF INFINITE ELECTRONICS, INC. IS PROHIBITED. THESE COMMODITIES, TECHNOLOGY OR SOFTWARE WERE EXPORTED FROM THE UNITED STATES IN ACCORDANCE WITH THE EXPORT ADMINISTRATION REGULATIONS. DIVERSION CONTRARY TO U.S. LAW PROHIBITED.

UNLESS OTHERWISE SPECIFIED LEADING DIMENSIONS ARE INCHES DIMENSIONS IN [ ] ARE MILLIMETERS

**TOLERANCES:**

|                    |             |
|--------------------|-------------|
| .X = ±.2 [5]       | FRACTIONS   |
| .XX = ±.02 [.5]    | ± 1/32      |
| .XXX = ±.005 [.13] | ANGLES ± 1° |

**CABLE LENGTH TOLERANCES:**

|  |
|--|
| ≤12 [305] = +1 [25] / -0                 |
| >12 [305] ≤ 60 [1524] = +2 [51] / -0     |
| >60 [1524] ≤ 120 [3048] = +4 [102] / -0  |
| >120 [3048] ≤ 300 [7620] = +6 [152] / -0 |
| >300 [7620] = +5% / -0                   |

ALL DIMENSIONS ARE FOR REFERENCE ONLY AND SUBJECT TO CHANGE WITHOUT NOTICE.



Website: [www.FairviewMicrowave.com](http://www.FairviewMicrowave.com)  
Phone: 1.800.715.4396 | 1.972.649.6678

|   |        |
|---|--------|
| <p>INTERPRET ALL DIMENSIONS AND TOLERANCES PER ASME Y14.5</p> |        |
| SCALE   | SHEET  |
| NONE  | 1 OF 1 |

DESCRIPTION  
**SMPS Female to SMPS Female Adaptor (Bullet) OAL 0.098**

|      |           |          |          |     |
|------|-----------|----------|----------|-----|
| SIZE | CAGE CODE | DRAWN BY | ITEM NO. | REV |
| A    | 3FKR5     | KDANG    | FMAD9990 | A   |

6

5

4

3

2

1