

6

5

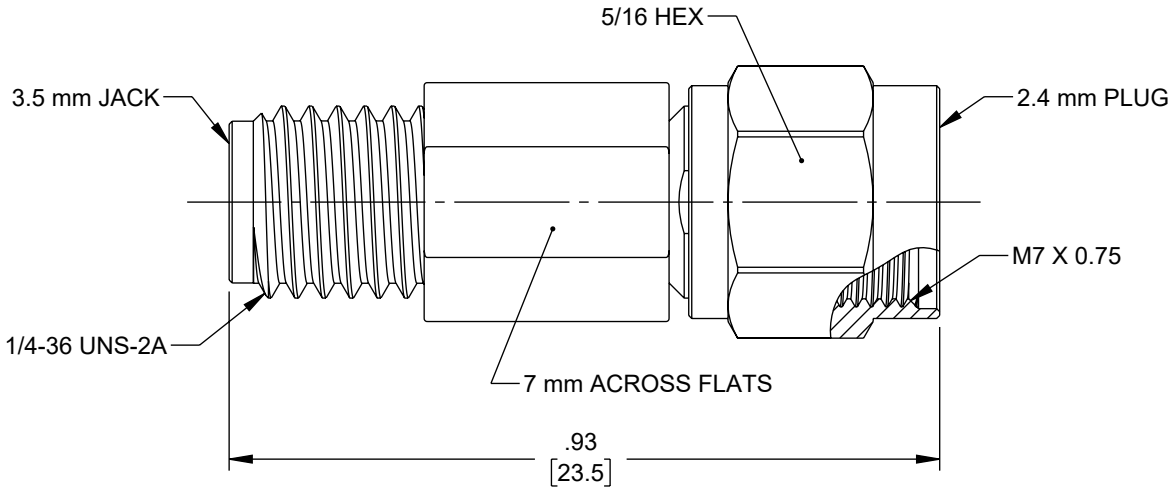
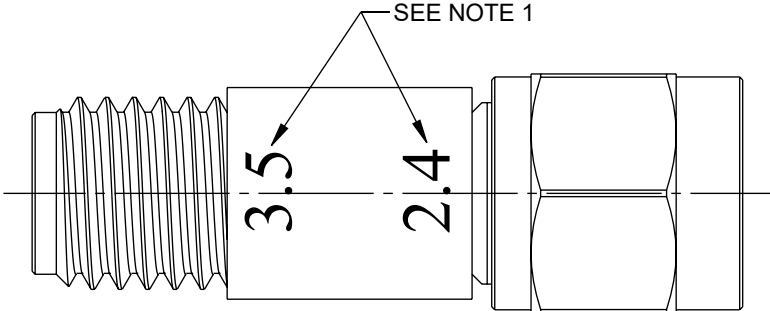
4

3

2

1

| REVISION | | | | | |
|----------|-----|-----------------|------------|------------|----------|
| ZONE | REV | DESCRIPTION | DATE | CHANGED BY | APPROVED |
| | A | INITIAL RELEASE | 03/24/2023 | DZINN | AGANWANI |



NOTES:

- 1. ITEM IS MARKED WITH CONNECTOR TYPE APPROX WHERE SHOWN.

THE INFORMATION CONTAINED IN THIS DRAWING IS THE SOLE PROPERTY OF INFINITE ELECTRONICS, INC. ANY REPRODUCTION IN PART OR WHOLE WITHOUT THE WRITTEN PERMISSION OF INFINITE ELECTRONICS, INC. IS PROHIBITED. THESE COMMODITIES, TECHNOLOGY OR SOFTWARE WERE EXPORTED FROM THE UNITED STATES IN ACCORDANCE WITH THE EXPORT ADMINISTRATION REGULATIONS. DIVERSION CONTRARY TO U.S. LAW PROHIBITED.

UNLESS OTHERWISE SPECIFIED LEADING DIMENSIONS ARE INCHES DIMENSIONS IN [] ARE MILLIMETERS

TOLERANCES:

| | |
|----------------------|------------------|
| .X = ±.2 [5] | FRACTIONS ± 1/32 |
| .XX = ±.02 [.5] | ANGLES ± 1° |
| .XXX = ±.005 [.13] | |

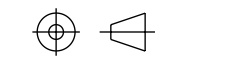
CABLE LENGTH TOLERANCES:

| |
|--|
| ≤12 [305] = +1 [25] / -0 |
| >12 [305] ≤ 60 [1524] = +2 [51] / -0 |
| >60 [1524] ≤ 120 [3048] = +4 [102] / -0 |
| >120 [3048] ≤ 300 [7620] = +6 [152] / -0 |
| >300 [7620] = +5% / -0 |

ALL DIMENSIONS ARE FOR REFERENCE ONLY AND SUBJECT TO CHANGE WITHOUT NOTICE.



Website: www.FairviewMicrowave.com
 Phone: 1.800.715.4396 | 1.972.649.6678



| | |
|--|--------|
| INTERPRET ALL DIMENSIONS AND TOLERANCES PER ASME Y14.5 | |
| SCALE | SHEET |
| NONE | 1 OF 1 |

DESCRIPTION
RF ADAPTER, 3.5 mm JACK TO 2.4 mm PLUG
 26.5GHz VSWR1.25

| | | | | |
|------|-----------|----------|----------|-----|
| SIZE | CAGE CODE | DRAWN BY | ITEM NO. | REV |
| A | 3FKR5 | DZINN | FMAD1632 | A |

6

5

4

3

2

1