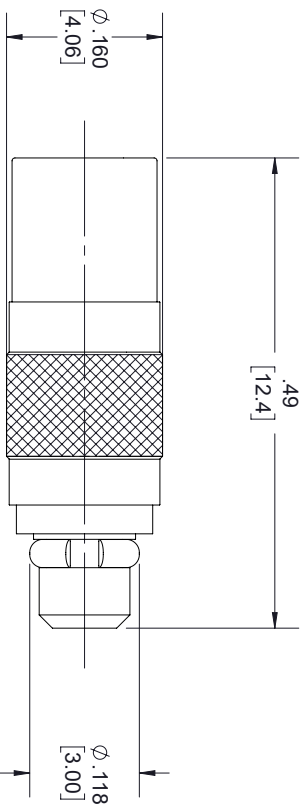


REVISIONS			
REV.	DESCRIPTION	DATE	APPROVED
A	INITIAL RELEASE	03/31/2022	AGANWANI



MMCX  
JACK

MMCX  
PLUG

THESE COMMODITIES, TECHNOLOGY OR SOFTWARE WERE EXPORTED FROM THE UNITED STATES IN ACCORDANCE WITH THE EXPORT ADMINISTRATION REGULATIONS, DIVERSION CONTRARY TO U.S. LAW PROHIBITED.



TITLE

UNLESS OTHERWISE SPECIFIED LEADING DIMENSIONS ARE INCHES DIMENSIONS IN [ ] ARE MILLIMETERS				THIRD-ANGLE PROJECTION	
TOLERANCES:					
CABLE LENGTH (L) TOLERANCES:		L ± 1/2 (B06) = +1/2 (5) / -0 12 (305) < L ≤ 60 (1524) = +2/16 (1) / -0 60 (1524) < L ≤ 120 (3048) = +4/16 (2) / -0 120 (3048) < L ≤ 300 (7620) = +6/16 (3) / -0 300 (7620) < L = +5%/L / -0			
FRACTIONS		THE INFORMATION AND DESIGN IN THIS DOCUMENT IS THE PROPERTY OF FAIRVIEW MICROWAVE CORPORATION. ALL RIGHTS RESERVED.			
X = ±.2 [5.08]	± 1/32	SHEET 1 OF 1			
XX = ±.02 [.51]	± 1/64	SCALE N/A			
XXX = ±.005 [.13]	ANGLES ± 1°	REV A			
SIZE A	GAGE CODE 3FKRS	DRAWN BY K.GLEBOVA	ITEM NO. FMAD1308	REV A	
ALL DIMENSIONS SHOWN ARE FOR REFERENCE ONLY.					