

SECTION A-A

NOTES:

MATERIAL:

MAIN BODY AND DUST CAP: PBT + GF, UL94V-0
 HOOD: MOLDED 25P PVC
 ADAPTER:
 BODY: COPPER, NICKEL PLATING
 INSULATOR: WHITE PLASTIC STEEL
 CONTACT: COPPER, GOLD PLATING

PHYSICAL CHARACTERISTICS:

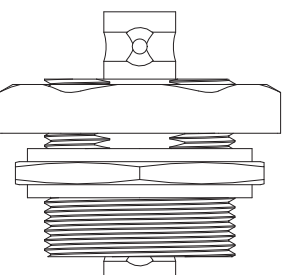
OPERATING TEMPERATURE RANGE: -10°C TO +60°C.
 STORAGE TEMPERATURE RANGE: -40°C TO +88°C.
 HUMIDITY: 10% ~ 90% RH
 IP RATING: IP68-WHEN DUST CAP IS ENGAGED.

ELECTRICAL:

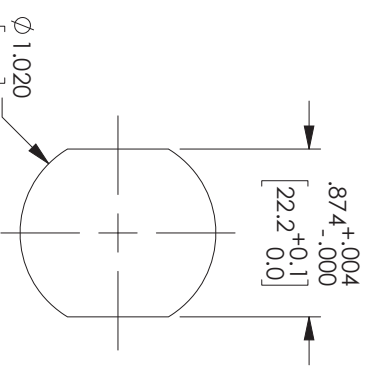
IMPEDANCE: 75 OHM

PACKAGING:

ASSEMBLY SHALL BE INDIVIDUALLY PACKAGED IN ACCORDANCE WITH L-COM SPECIFICATION PS-0031.



DUST CAP AND LANYARD NOT SHOWN



RECOMMENDED PANEL OPENING

THESE COMMODITIES, TECHNOLOGY OR SOFTWARE WERE EXPORTED FROM THE UNITED STATES IN ACCORDANCE WITH THE EXPORT ADMINISTRATION REGULATIONS, DIVISION CONTRARY TO U.S. LAW PROHIBITED.



TITLE

UNLESS OTHERWISE SPECIFIED LEADING DIMENSIONS ARE INCHES		THIRD-ANGLE PROJECTION	
DIMENSIONS IN [] ARE MILLIMETERS			
TOLERANCES:		THE INFORMATION AND DESIGN IN THIS DOCUMENT IS THE PROPERTY OF FAIRVIEW MICROWAVE CORPORATION. ALL RIGHTS RESERVED.	
CABLE LENGTH (L) TOLERANCES:		SHEET 1 OF 1	
X = ±.2	[5.08]	FRACTIONS	L ≤ 12 [305] = ±1 [25] / -0
XX = ±.02	[.51]	± 1/32	12 [305] < L ≤ 60 [1524] = ±.2 [51] / -0
XXX = ±.005	[.13]	ANGLES ± 1°	60 [1524] < L ≤ 120 [3048] = ±.4 [102] / -0
			120 [3048] < L ≤ 300 [7620] = ±.6 [152] / -0
			300 [7620] < L = +5%L / -0
SCALE	N/A		
SIZE	GAGE CODE	DRAWN BY	ITEM NO.
A	3FKRS	DMAY	FMAD1266
REV	REV		REV
			A